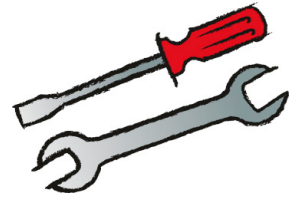


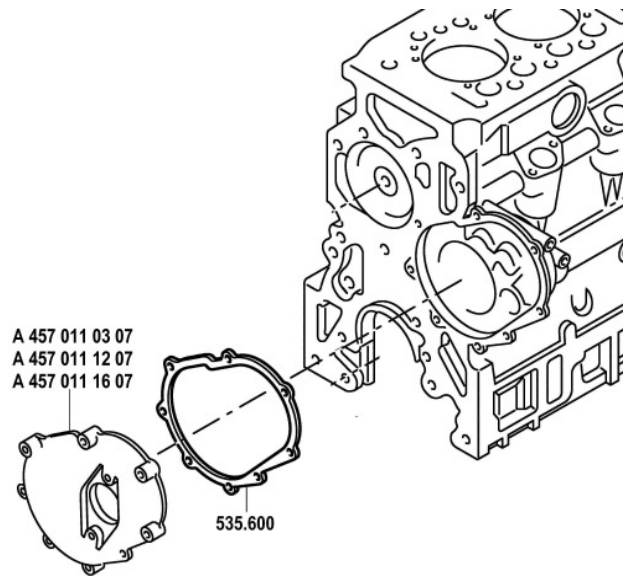


Das Original

TSI 04/11

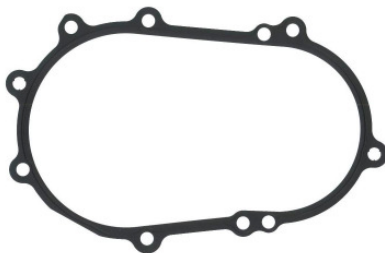


New seal for the camshaft sprocket cover Mercedes-Benz OM 457 LA| HLA



In order to improve seal performance between the camshaft sprocket cover and the engine block, a new Metaloseal® has been developed. It replaces the sealing compound that was previously used for this joint.

! In order to prevent damage to the belt drive, the camshaft sprocket cover must be replaced.



535.600

1x



457 011 08 80