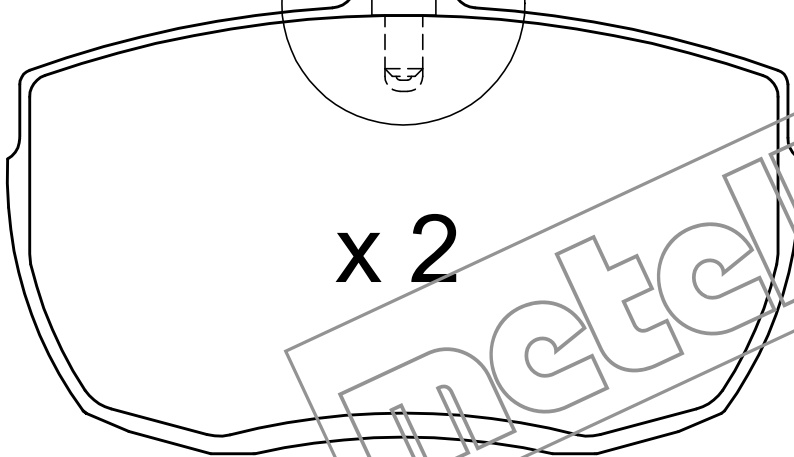
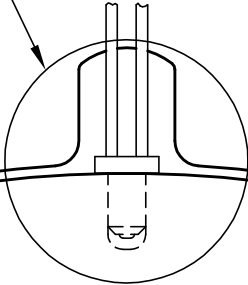
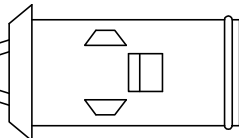


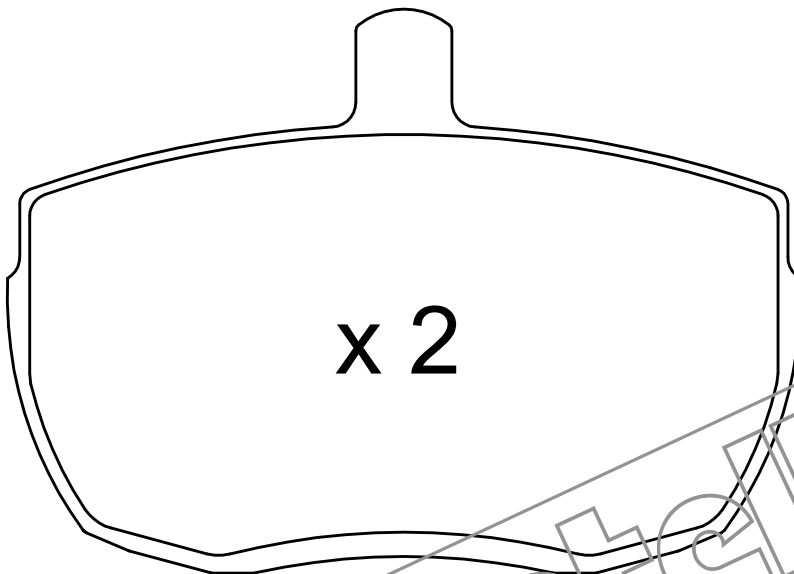
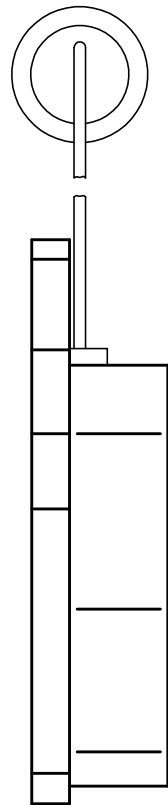
metelli

L = 210



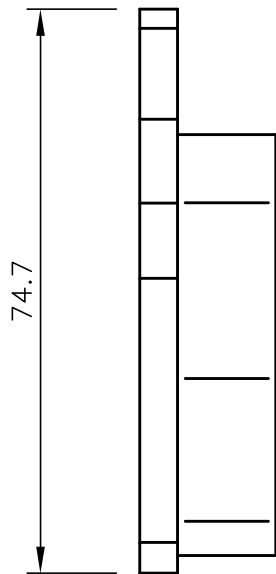
x 2

metelli

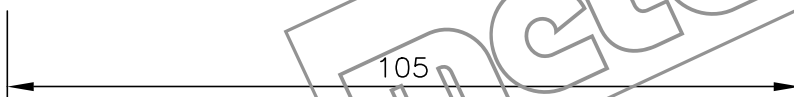


x 2

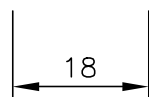
metelli



74.7



105



18