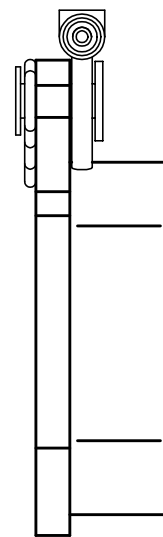
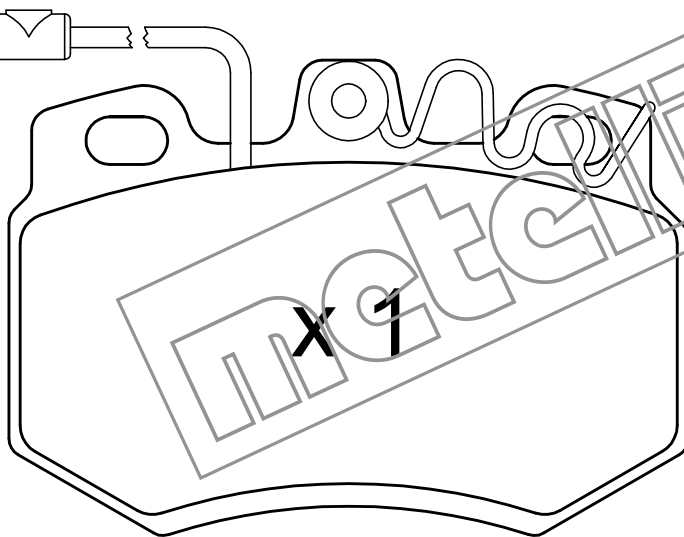
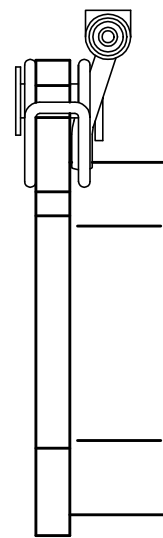
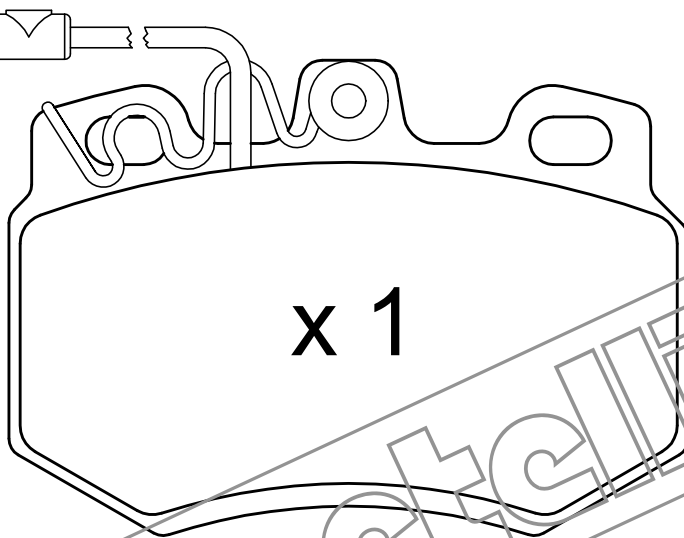


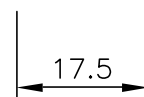
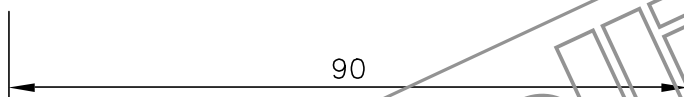
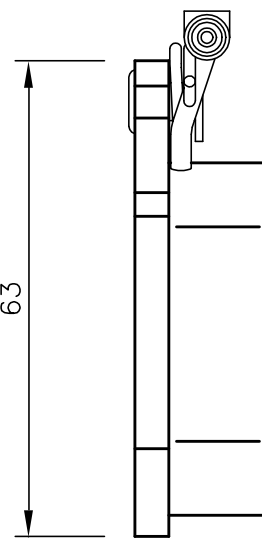
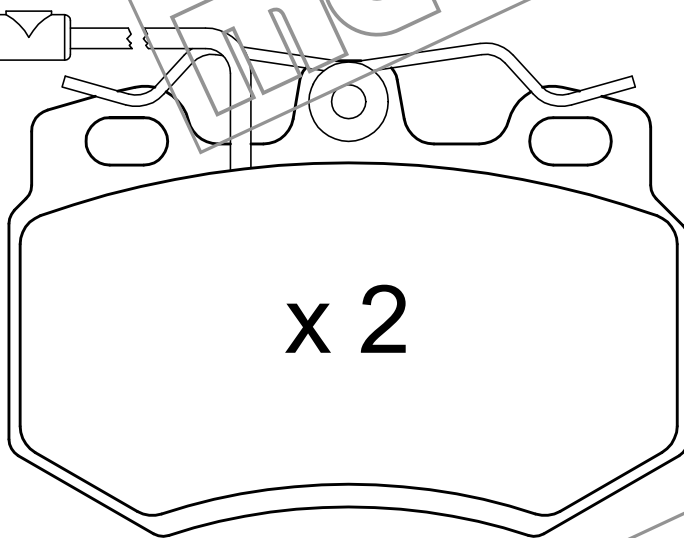
L = 230



L = 230



L = 230



63

90

17.5