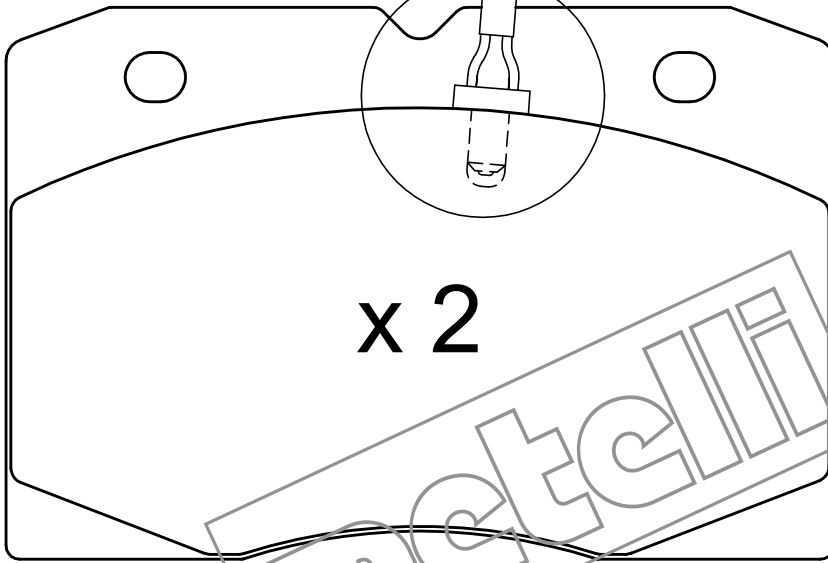
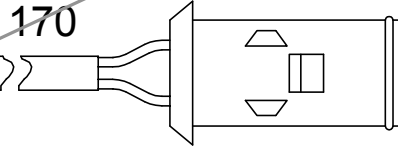
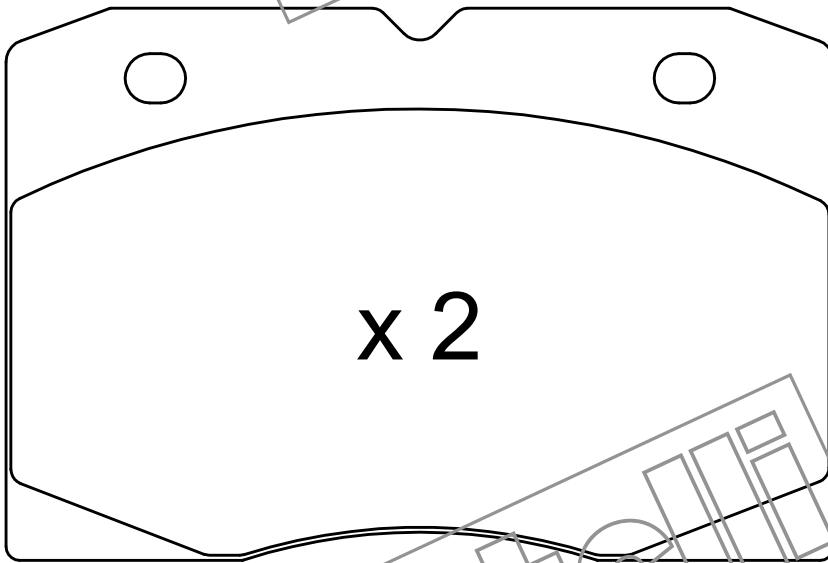
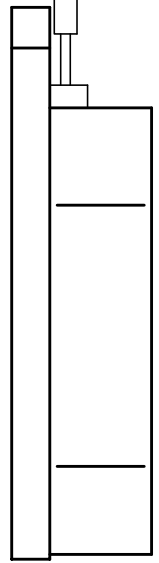


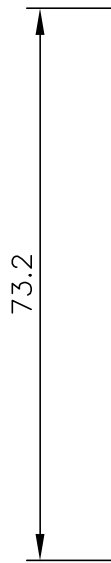
L = 170



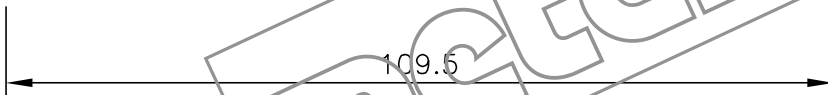
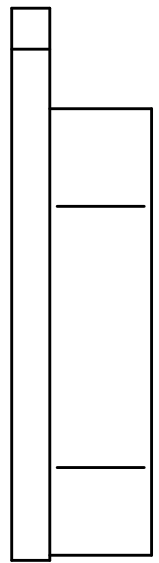
x 2



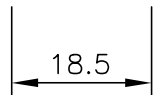
x 2



73.2



109.5



18.5