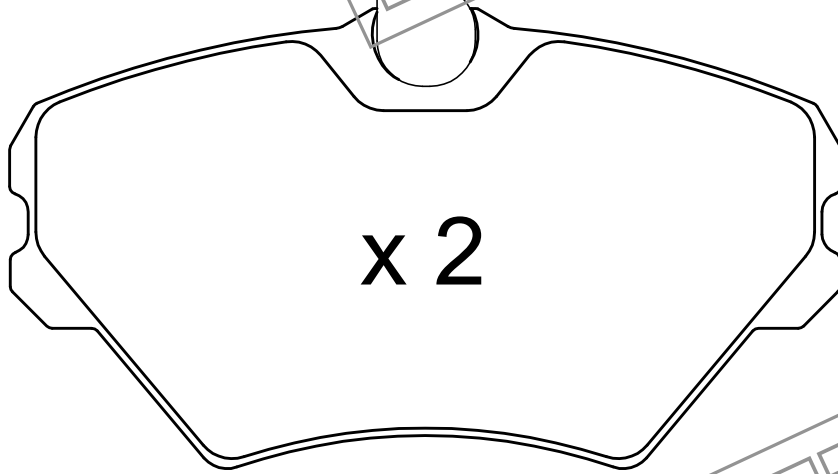
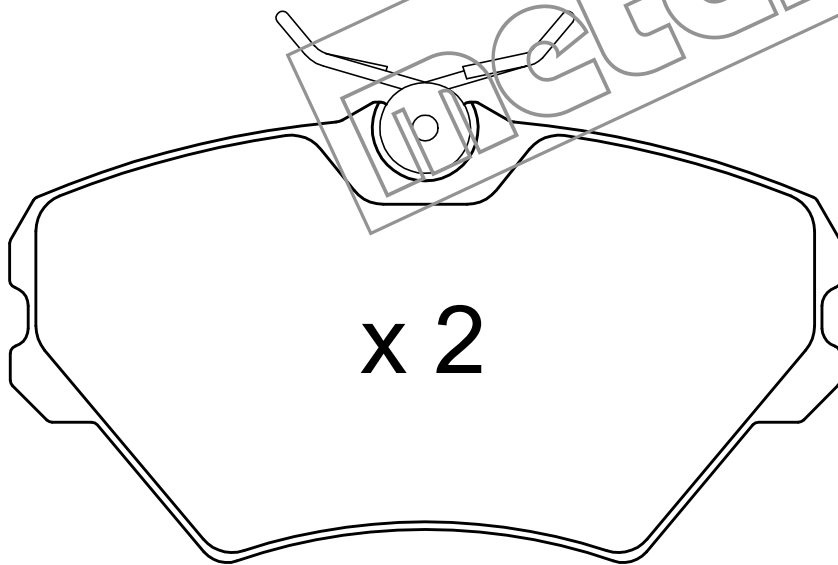
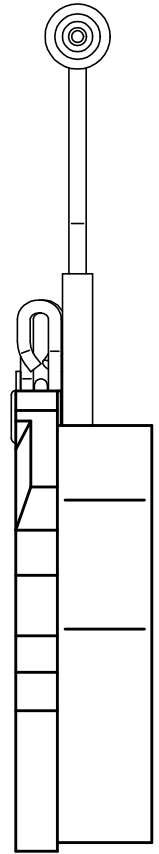


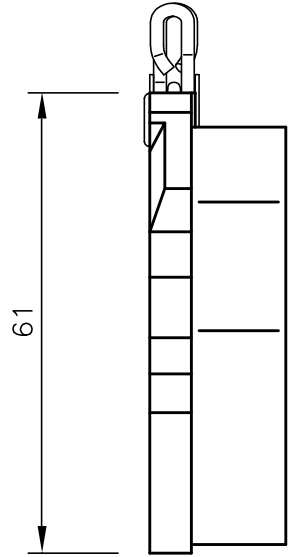
L = 280



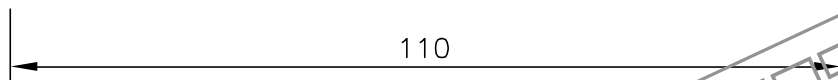
x 2



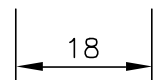
x 2



61



110



18

