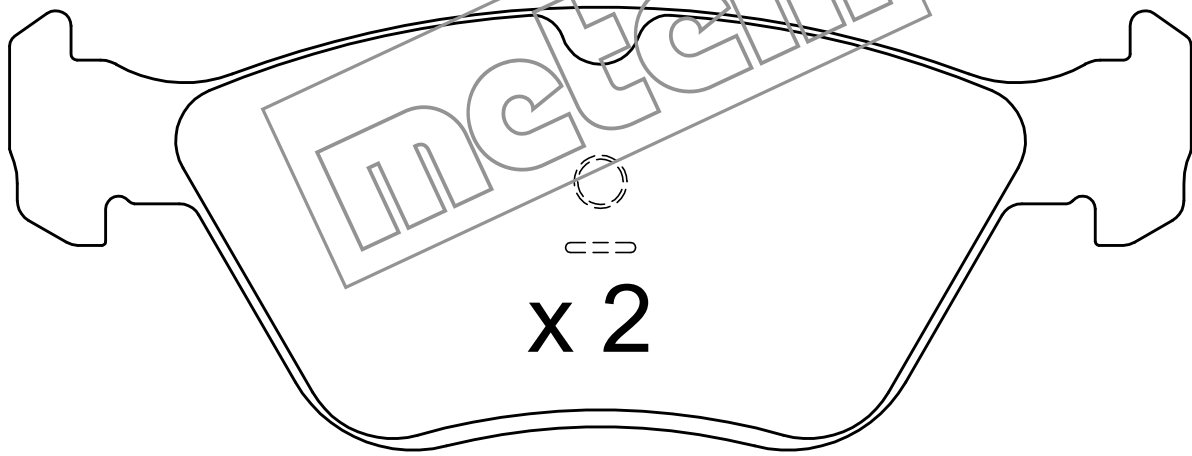
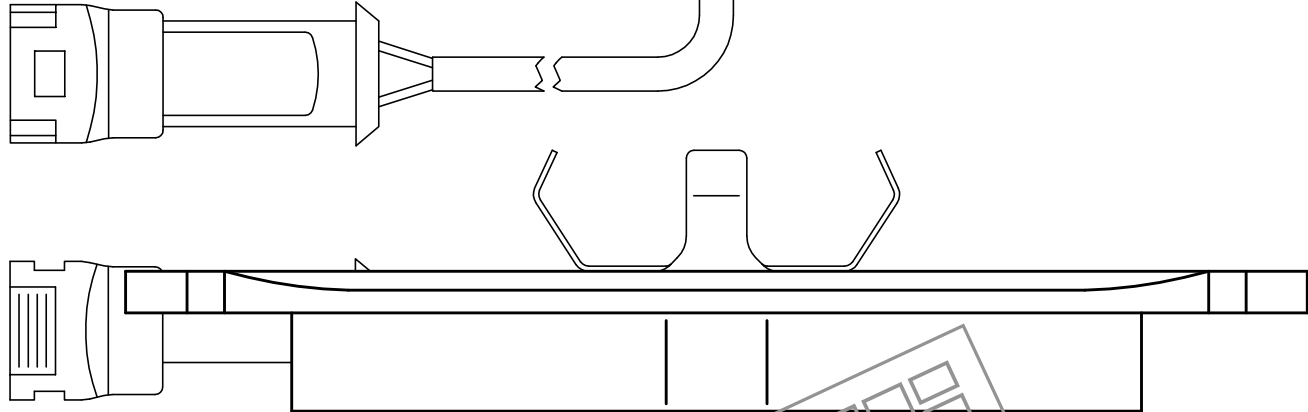
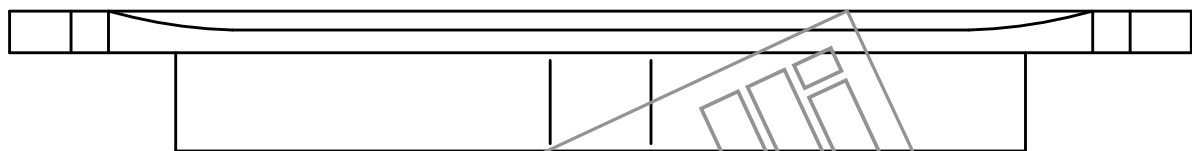


L = 255



156.4

58.7



18.5

metelli