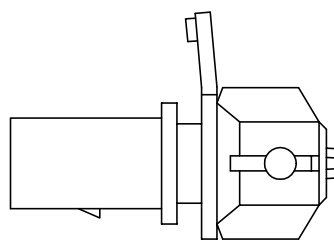
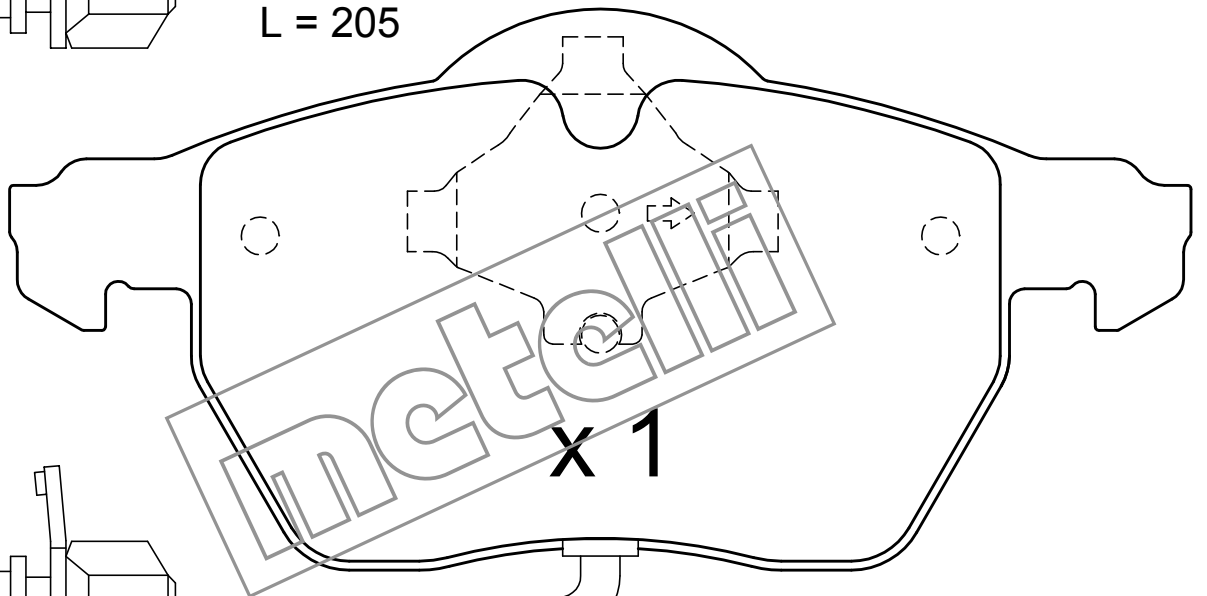


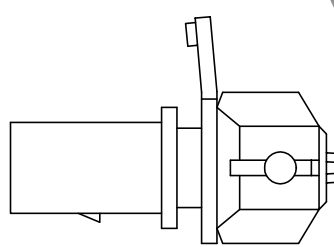
x 1



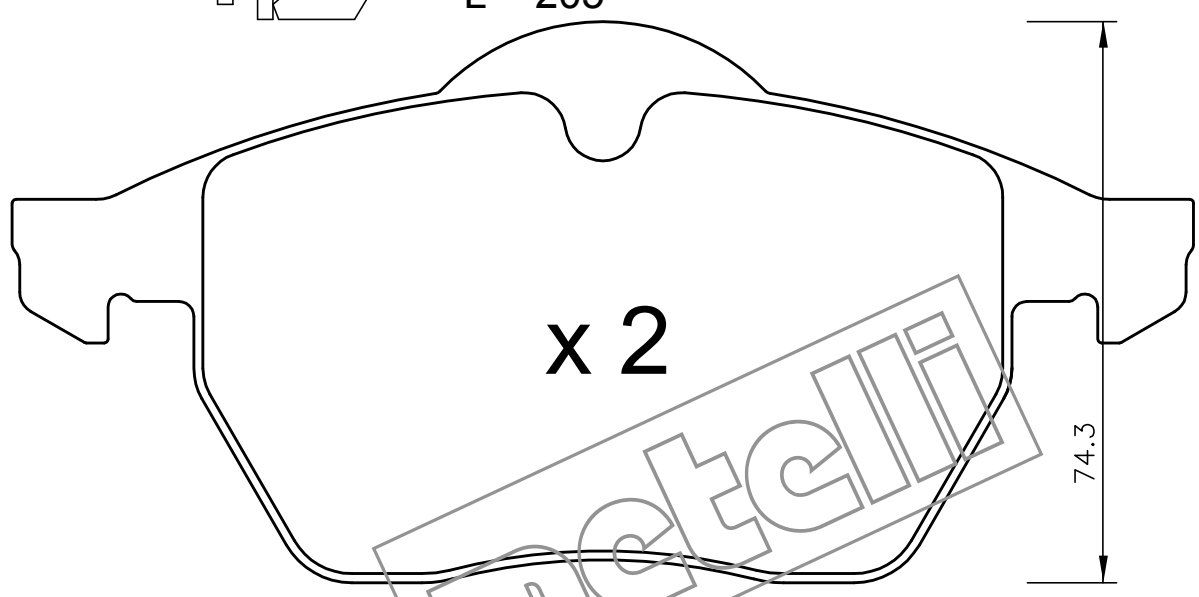
L = 205



x 1



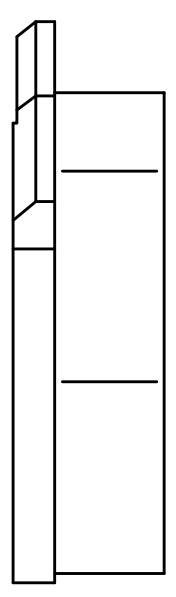
L = 205



x 2

74.3

156.4



20