

# Fact Sheet

## INA Engine KIT 427 1010 40

### Relevant Applications

Manufacturer: PEUGEOT, CITROËN

Vehicle: 206, 207, 307, C2, C3, C4

Engine: PSA 1.4 l 16V

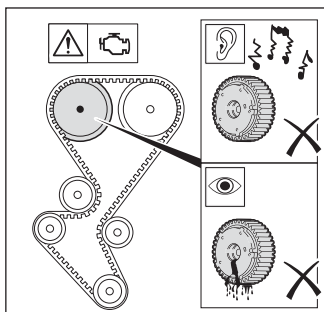
Car Parc: 720,000 worldwide



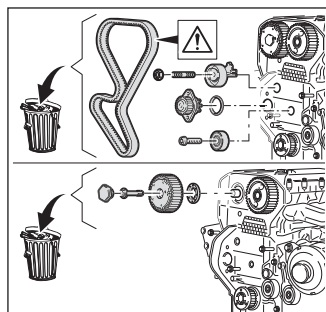
### Contents of the INA Engine KIT

Timing belt, tensioner pulley, deflection pulley, water pump including seal, camshaft phasing unit, control valve, bolts and accessories

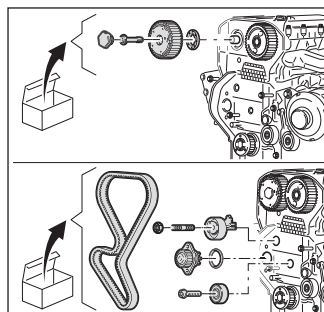
### Technical Context



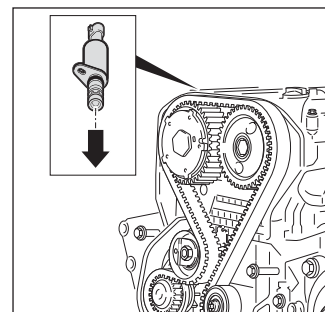
The control valve filter is clogged due to dirt and abrasion. As a result, the camshaft phasing unit is not supplied with sufficient engine oil and is irreparably damaged. This damage is evident in the form of significant noise generation and/or oil leakage.



The timing belt must be removed in order to replace the faulty camshaft phasing unit. As the timing belt must be replaced at defined intervals, for economic purposes it usually makes sense to also replace the complete timing belt drive together with the tensioner pulley, the deflection pulley and the water pump. In the event of oil leakage, the timing belt drive must be replaced!



All relevant components (including bolts and seals) are provided in the INA Engine KIT and must always be used for the repair.



In order to ensure that the new camshaft phasing unit operates correctly, the control valve included in the INA Engine KIT must be used.