

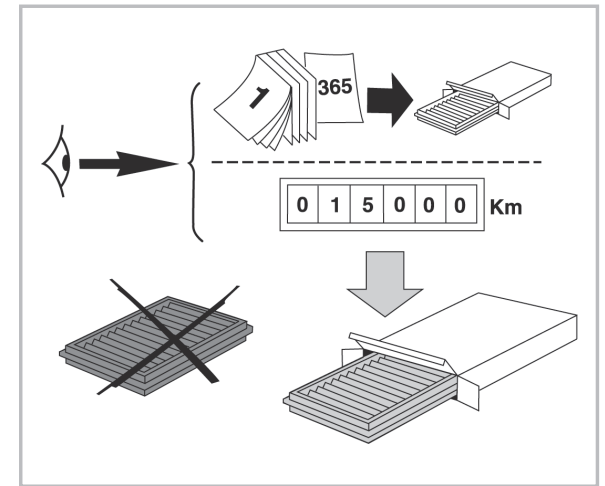
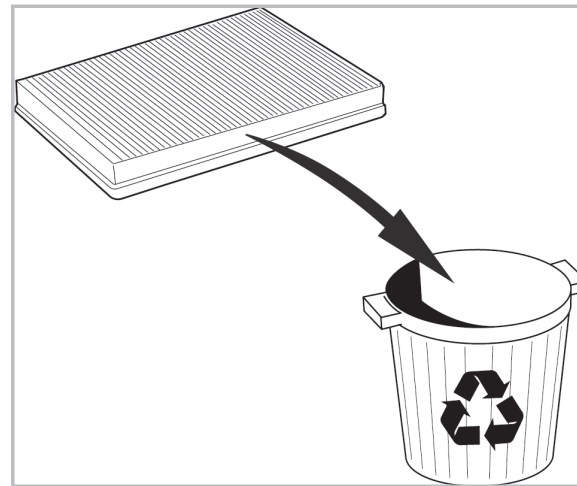
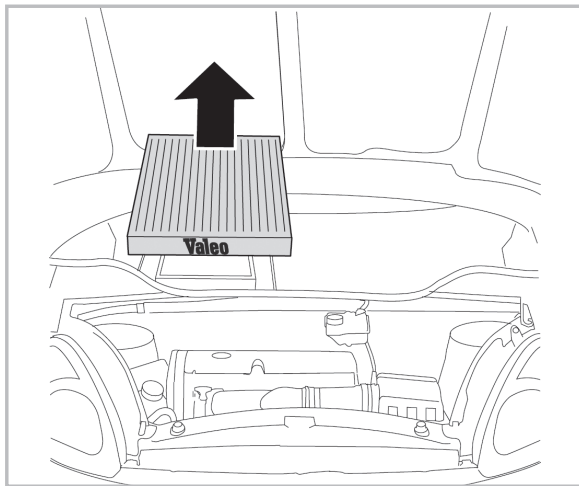
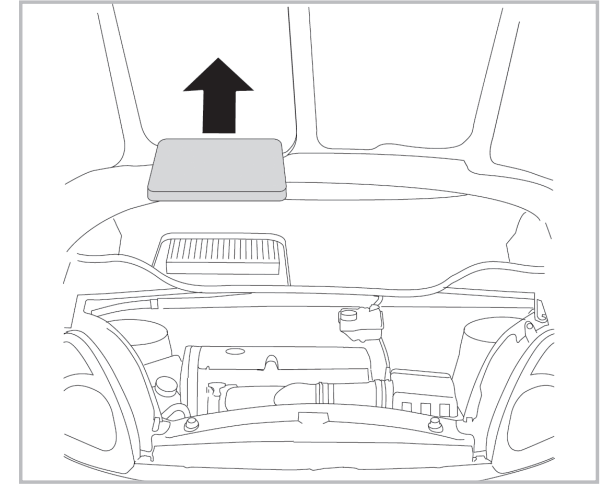
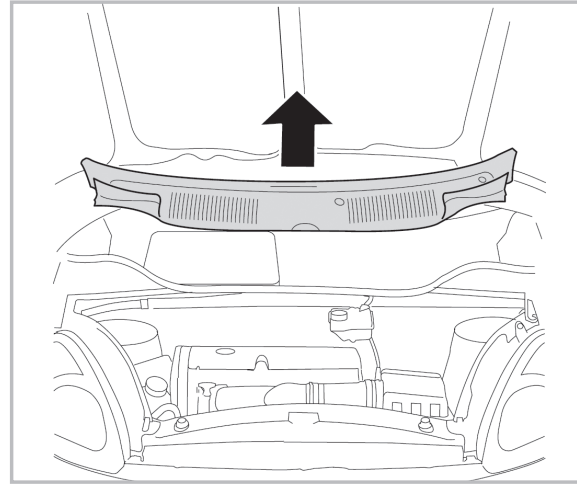
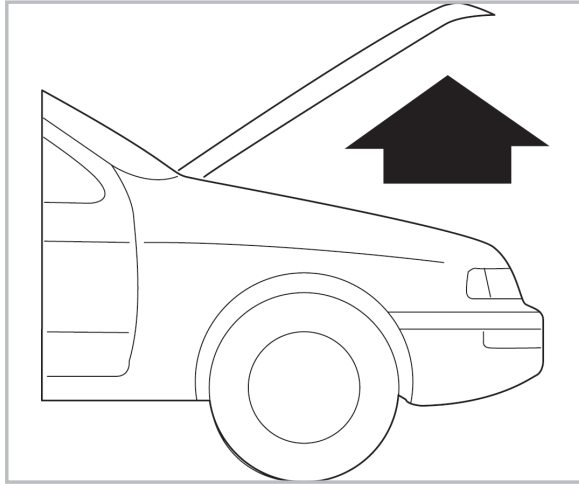


FOR
MAZDA TRIBUTE A/C+ (01/00 >)



COMFORT

particle
filter



698893
FH346



WANT TO
KNOW MORE?



www.valeo-techassist.com