

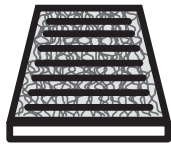


SUPREME

with anti-allergen properties



701028
FH 2028



PCA

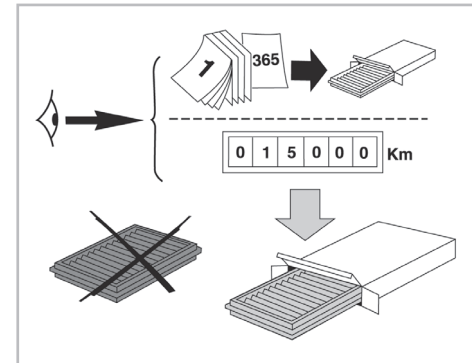
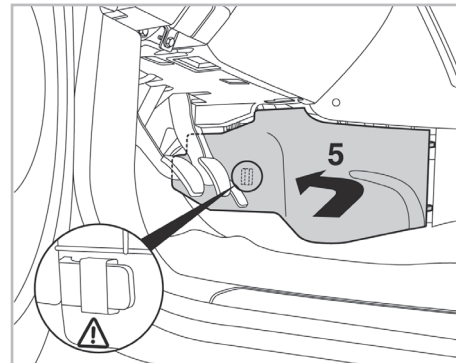
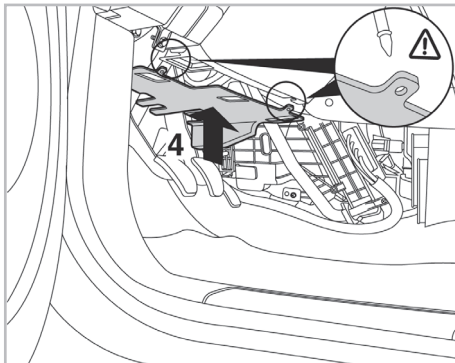
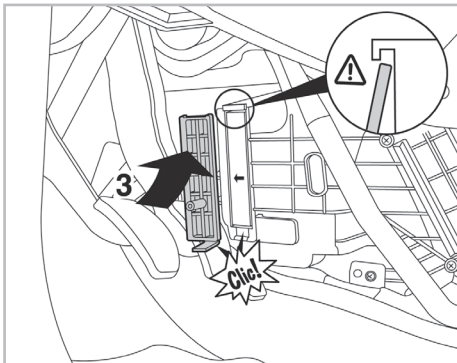
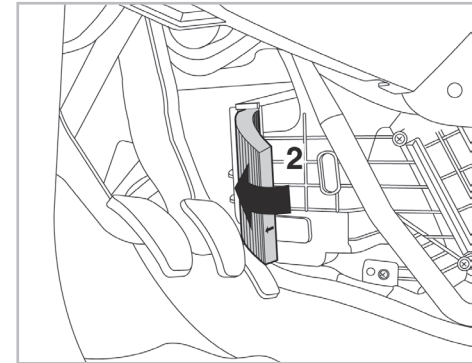
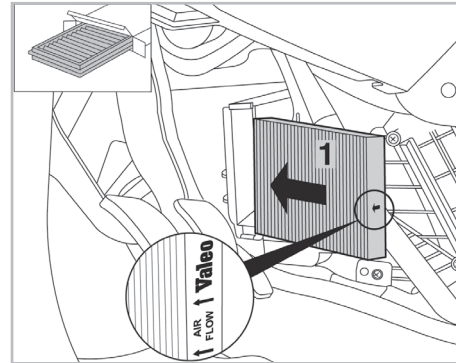
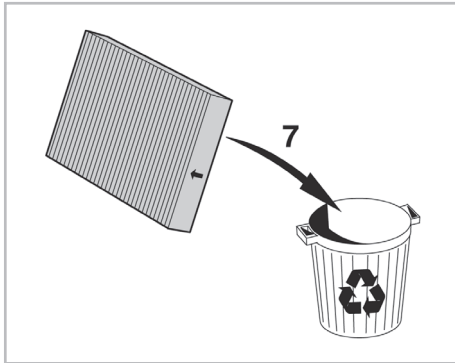
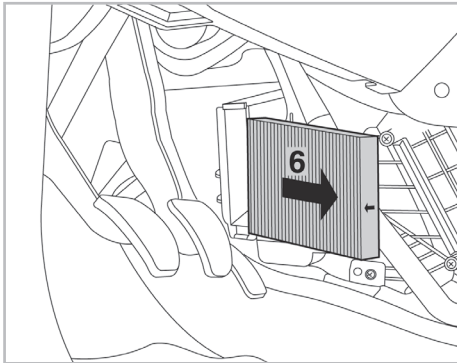
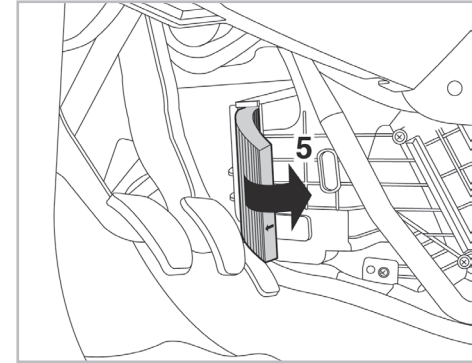
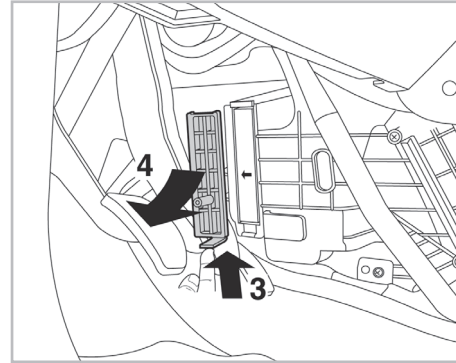
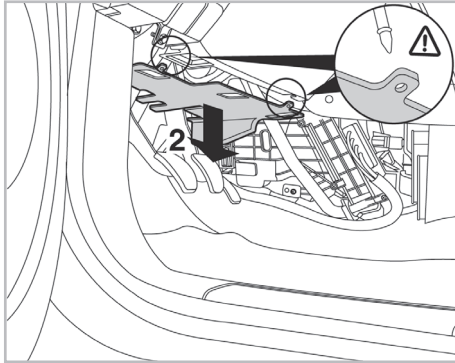
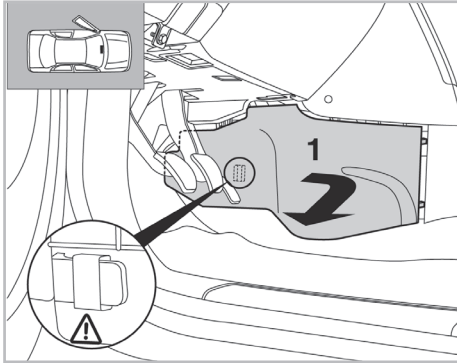
WANT TO KNOW MORE?



www.valeo-techassist.com

FOR
NISSAN

QASHQAI A/C+ (03/07 > 01/10) / X-TRAIL A/C+/- (03/07 >)



Valeo Service - Société par Actions Simplifiée - Capital de 12 900 000 € - 70, rue Pleyel, 93285 Saint-Denis Cedex - France - B 306 486 408 RCS Bobigny

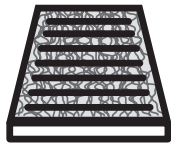


SUPREME

with anti-allergen properties



701028
FH 2028



PCA

WANT TO KNOW MORE?



www.valeo-techassist.com

FOR
NISSAN DUALIS A/C+/- (02/07 >) / ROGUE A/C+ (03/08 >)

