



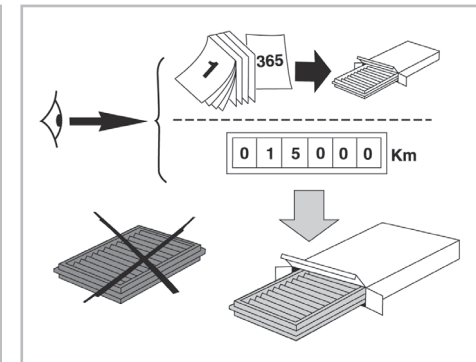
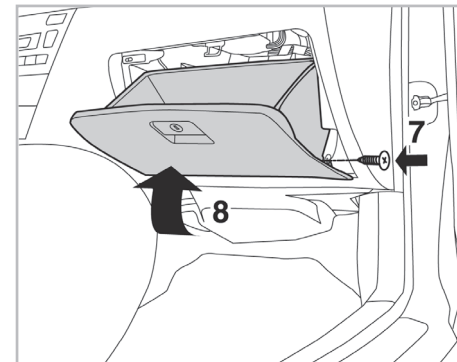
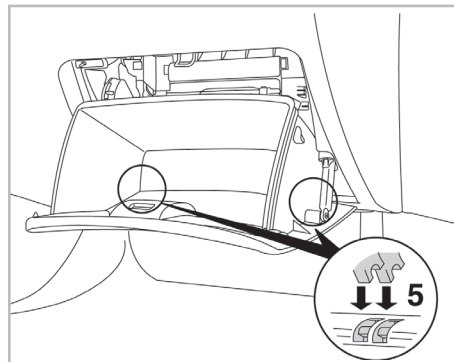
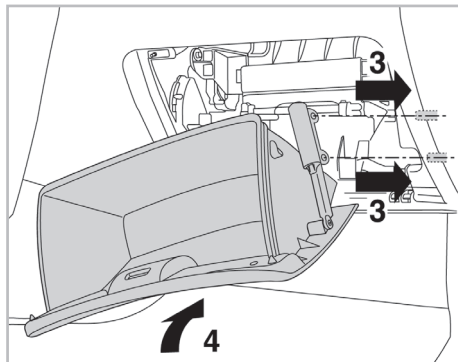
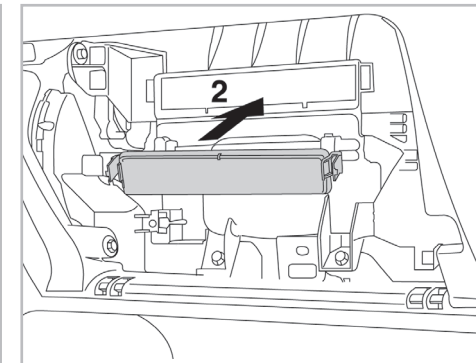
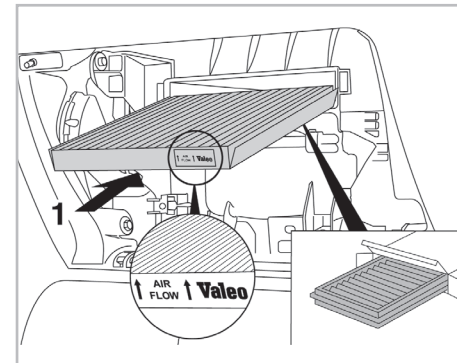
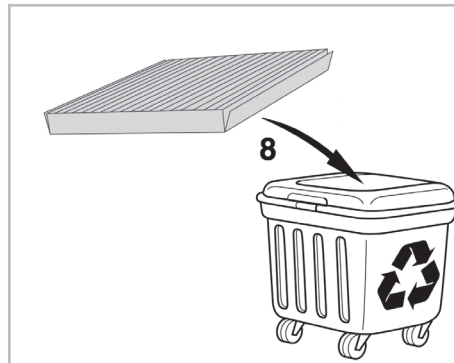
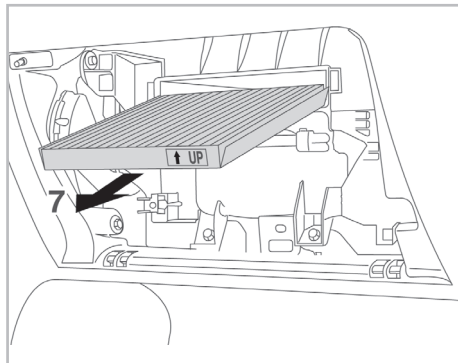
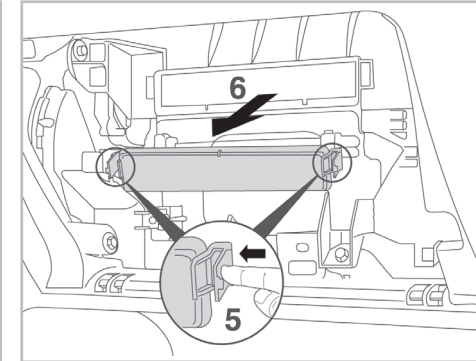
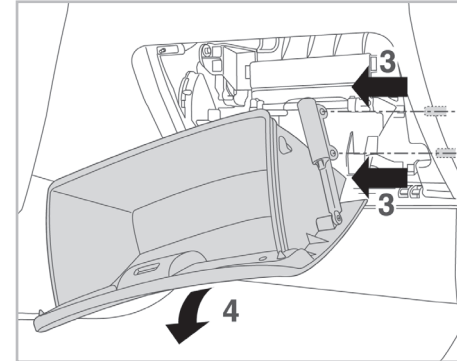
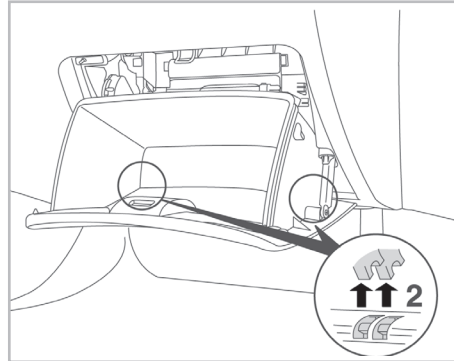
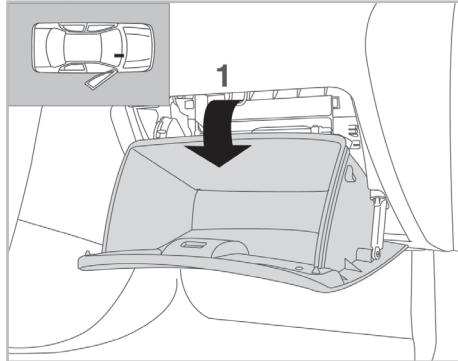
PROTECT

combined with active carbon



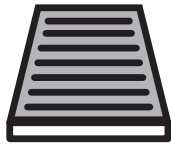
FOR
TOYOTA

AVENSIS (T25) A/C+ (01/03 >) / COROLLA (120) A/C+ (10/01 >) / COROLLA VERSO A/C+/- (09/01 >)



715701

FH173



CA

WANT TO KNOW MORE?



www.valeo-techassist.com

Valeo Service - Société par Actions Simplifiée - Capital de 12 900 000 € - 70, rue Pleyel, 93285 Saint-Denis Cedex - France - B 306 486 408 RCS Bobigny