



VARTA ProMotive HD

Vehicle Key Benefits

- Engineered in Germany
- Patented PowerFrame® grid for reliable starting power, fast recharge and corrosion resistance.
- Meets all original criteria of the commercial vehicle manufacturer

For more information visit varta-automotive.com

ORDER INFORMATION

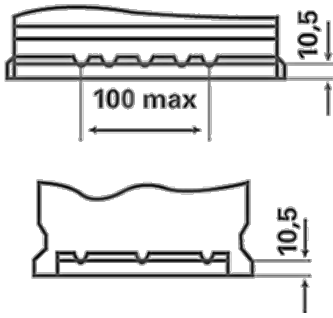
European Type No. (ETN):	566047051
Article Number:	566047051A742
Short Code:	D33
Barcode:	4016987128961
UK Code:	
Packaging Unit:	1
Quantity per Pallet:	51

TECHNICAL INFORMATION

Voltage [V]:	12	Base Hold-down:	B13
Battery Capacity [Ah]:	66	Layout:	0
CCA, EN [A]:	510	Terminal Types:	1
Length [mm]:	278	Case Size:	H6
Width [mm]:	175	Weight filled (kg):	16,80
Height [mm]:	190		

DRAWINGS

B13



0



1

