



## VARTA ProMotive HD

### Vehicle Key Benefits

- Engineered in Germany
- Patented PowerFrame® grid for reliable starting power, fast recharge and corrosion resistance.
- Meets all original criteria of the commercial vehicle manufacturer

For more information visit [varta-automotive.com](http://varta-automotive.com)

### ORDER INFORMATION

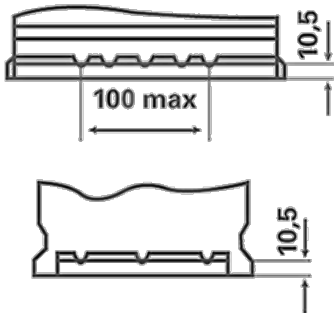
<b>European Type No. (ETN):</b>	588038068
<b>Article Number:</b>	588038068A742
<b>Short Code:</b>	F10
<b>Barcode:</b>	4016987128978
<b>UK Code:</b>	
<b>Packaging Unit:</b>	1
<b>Quantity per Pallet:</b>	36

### TECHNICAL INFORMATION

<b>Voltage [V]:</b>	12	<b>Base Hold-down:</b>	B13
<b>Battery Capacity [Ah]:</b>	88	<b>Layout:</b>	0
<b>CCA, EN [A]:</b>	680	<b>Terminal Types:</b>	1
<b>Length [mm]:</b>	353	<b>Case Size:</b>	H8
<b>Width [mm]:</b>	175	<b>Weight filled (kg):</b>	21,0
<b>Height [mm]:</b>	190		

DRAWINGS

**B13**



**0**



**1**



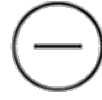
ø 19,5  
H 18



ø 17,9  
H 18



pos.



neg.