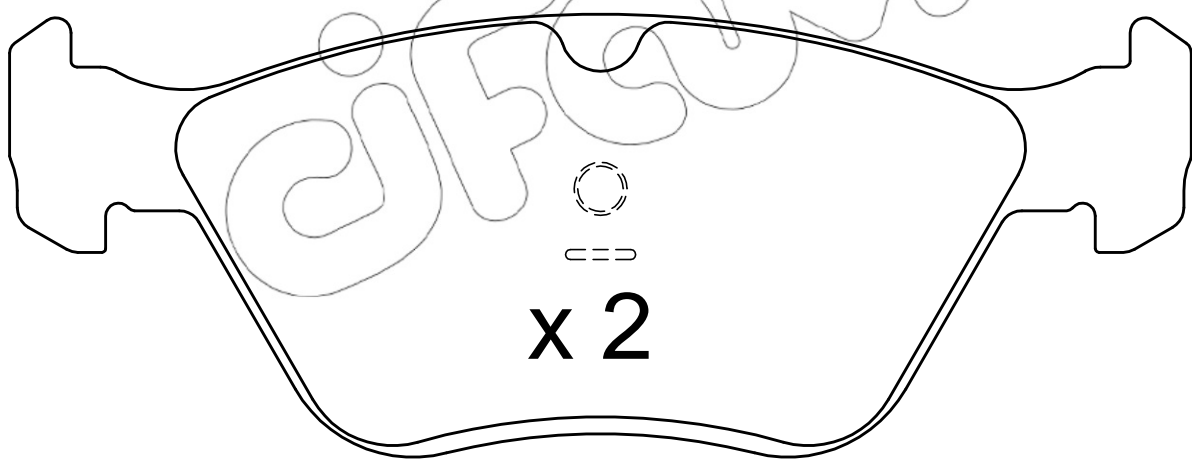
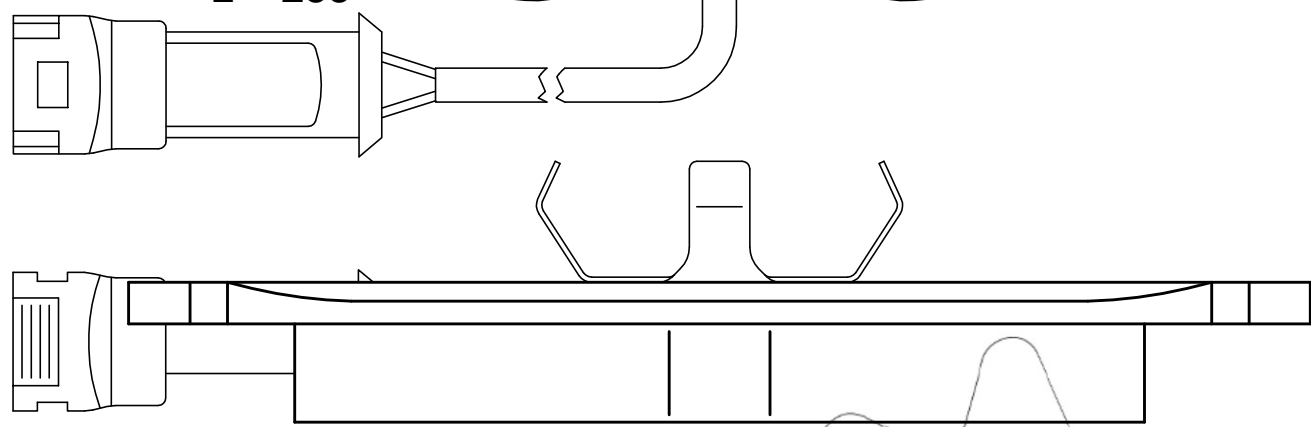


x 2

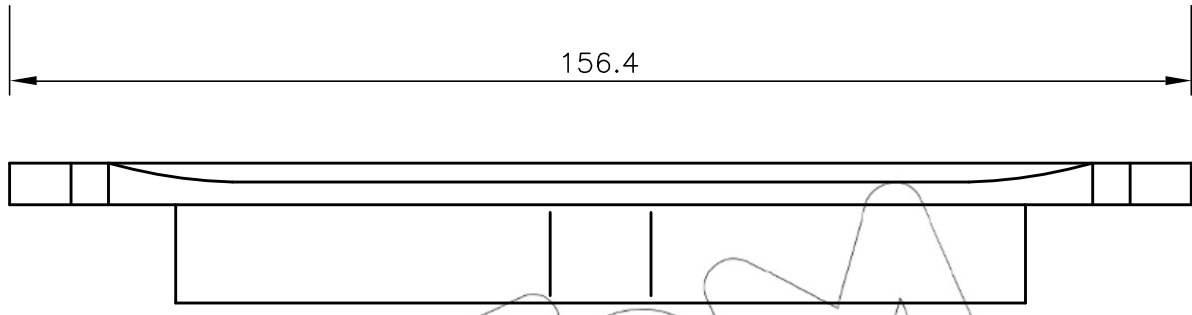
L = 255



x 2

58.7

156.4



18.5