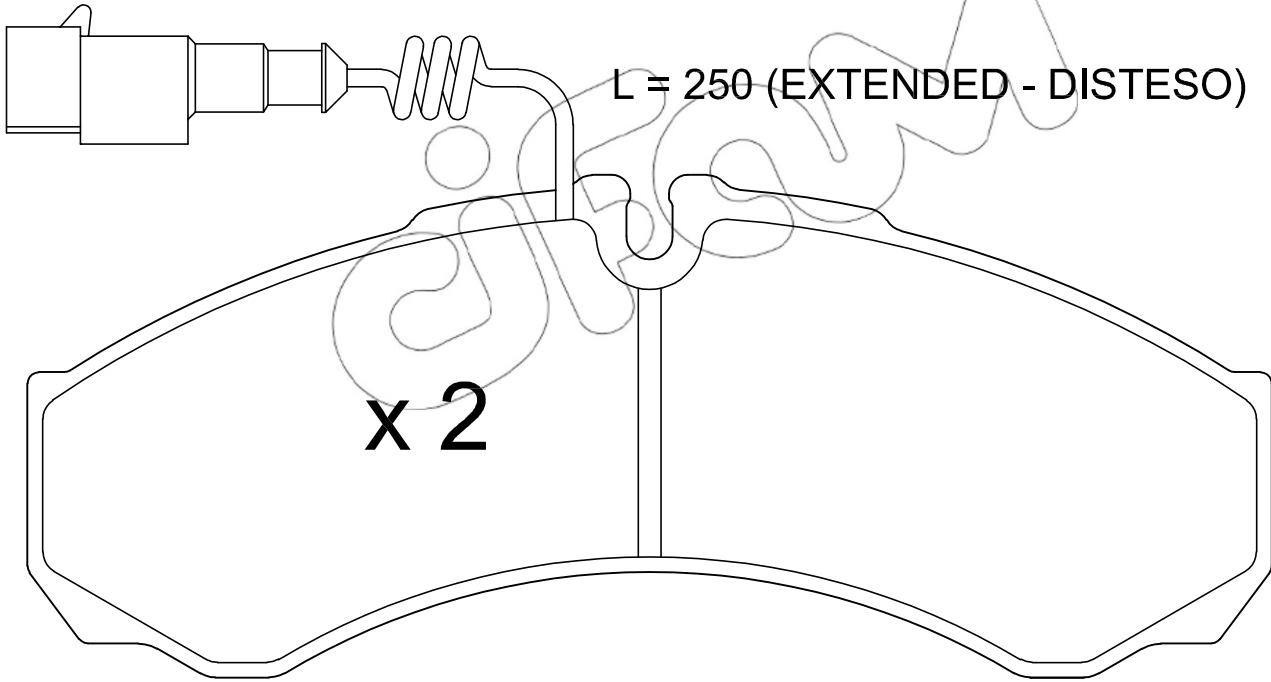
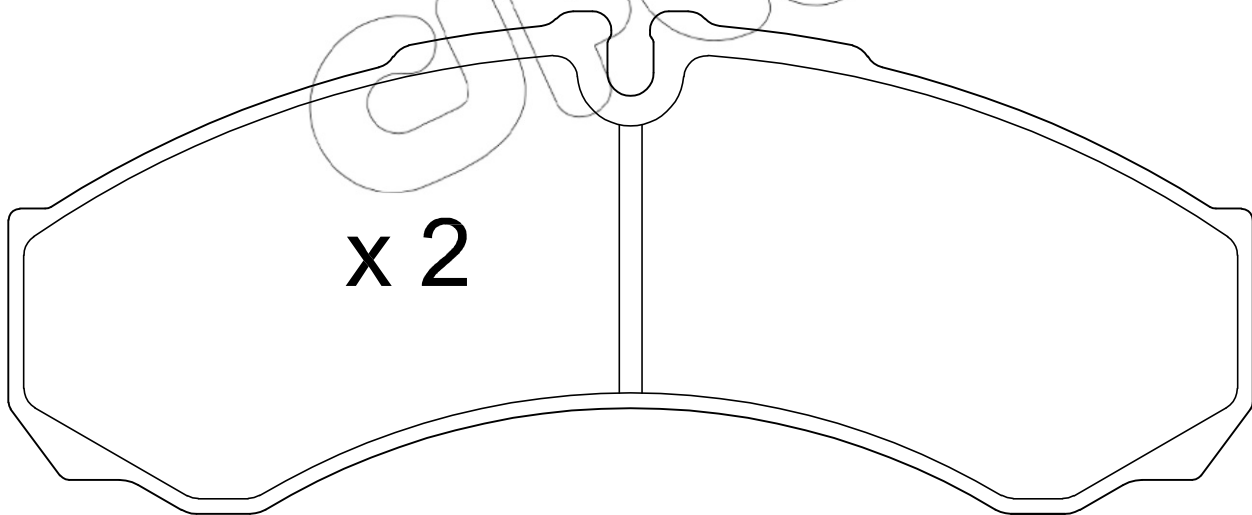
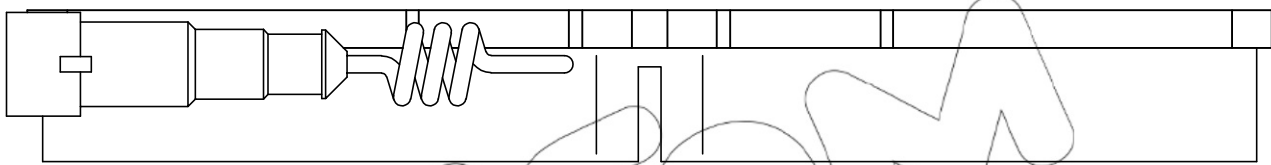


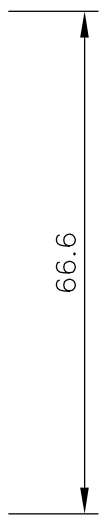
L = 250 (EXTENDED - DISTESO)



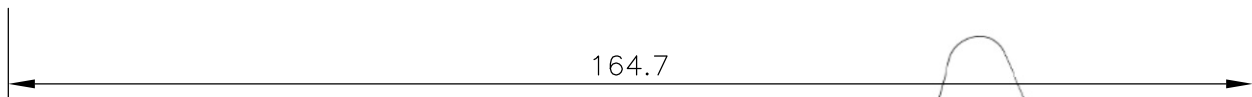
x 2



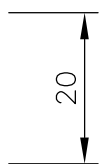
x 2



66.6



164.7



20