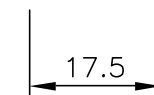
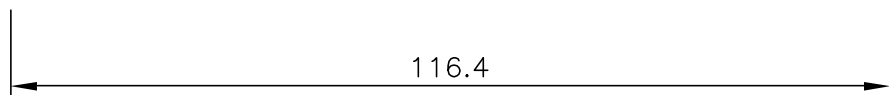
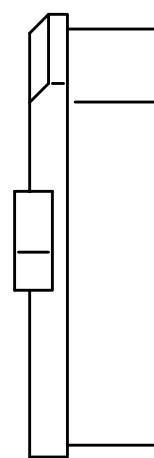
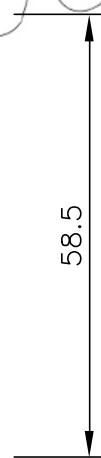
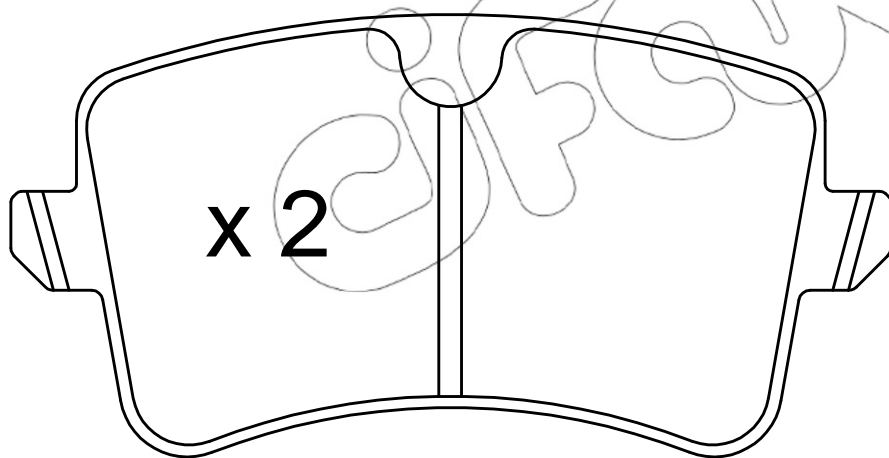
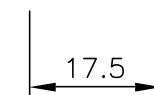
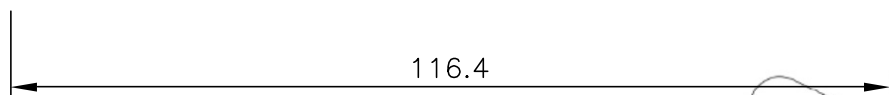
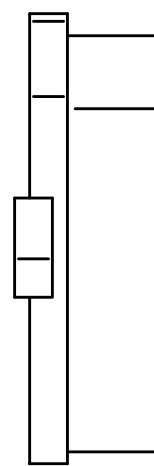
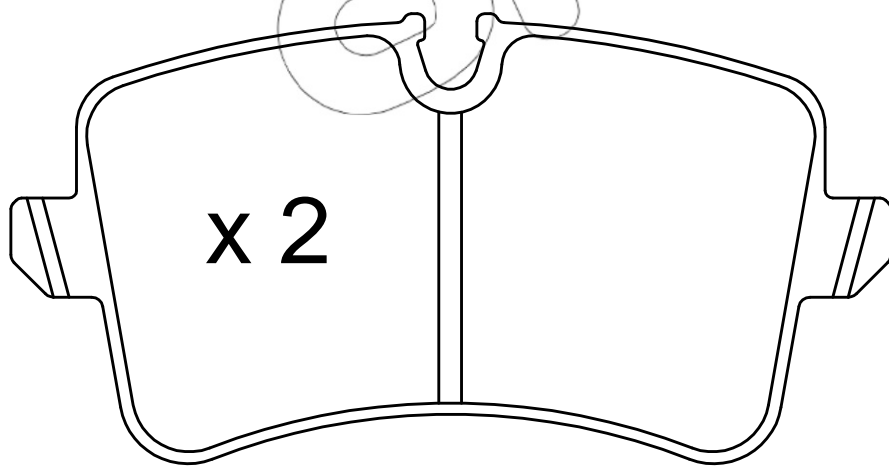


x 1

L = 215



ifom