

LAK 250



Jaguar
S-Type

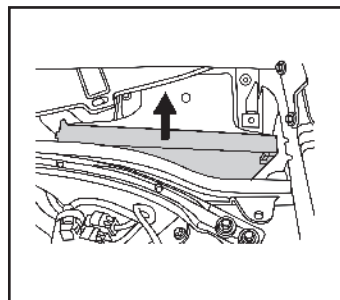
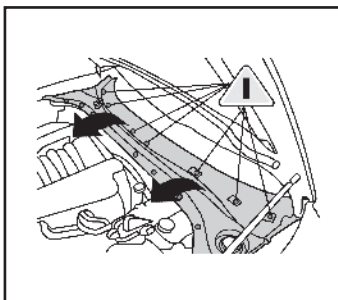
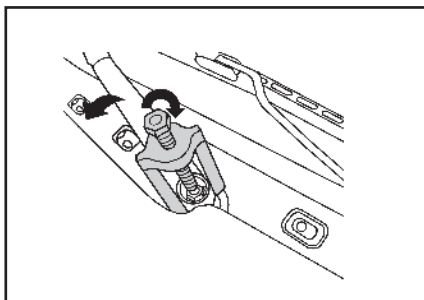
01/99 ➡

© MAHLE

LAK 250



Jaguar S-Type



© MAHLE