

LAK 129/1



Mercedes-Benz

C-Klasse (C,S,T,W203)

05/00 →→

Right hand drive
AC automatic thermatic

CLK (A,C209)

06/02 →→

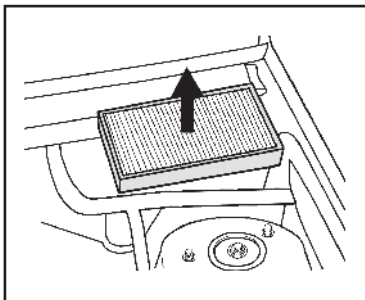
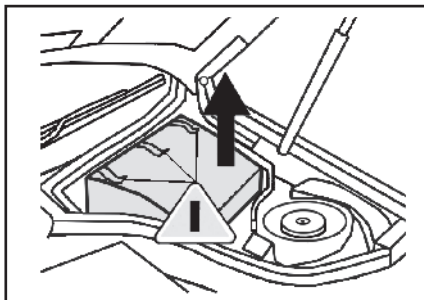
Right hand drive
AC automatic thermatic

© MAHLE

LAK 129/1



Mercedes-Benz C-Klasse, CLK



© MAHLE