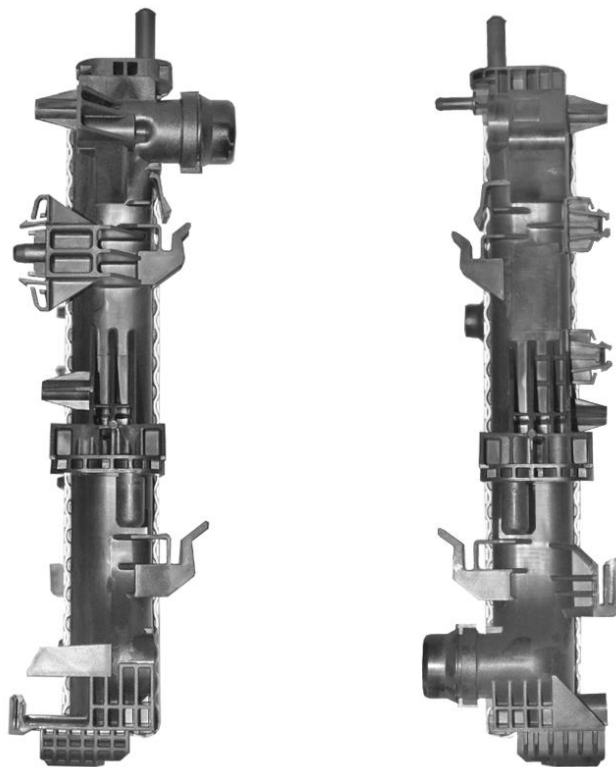


17002453

SIDE



FRONT

