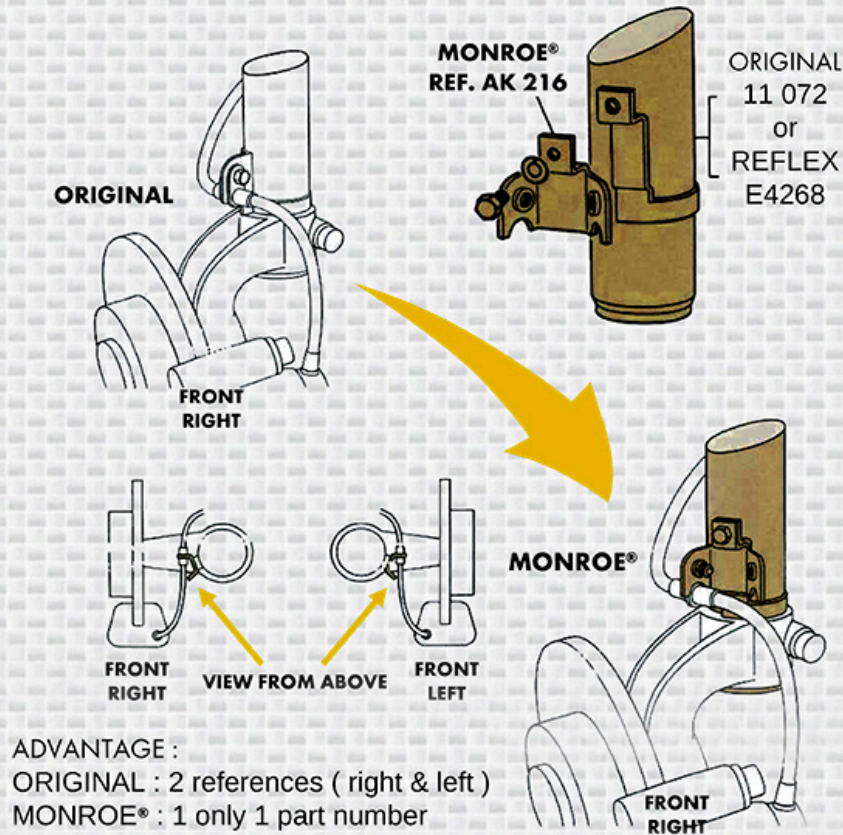




FIRST TYPE :

Positioning the brake cable to avoid it chafing on the wheel rim



SECOND TYPE

Positioning of the brake disc wear indicator to avoid any chafing of the wheel rim.

