

Transmission Repair Parts for Mercedes.

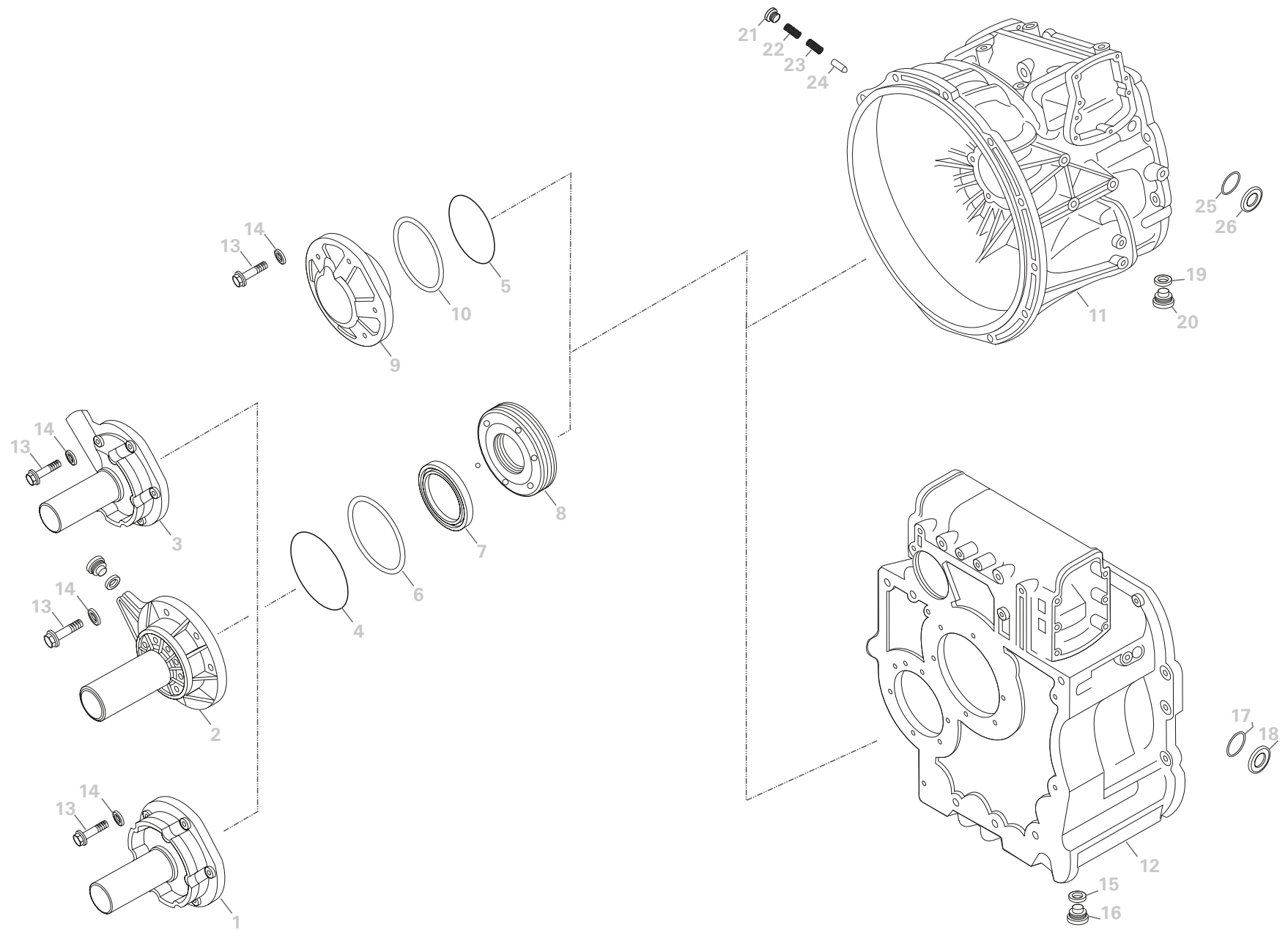
G210-16 G211-16 G240-16

01.02.2022



CHART 01

Front Cover & Clutch Housing



01.02.2022

FIG.	G210-16	G211-16	G240-16	ZF	Mercedes*	Description	Qty	Notes

* For complete list of ex numbers please see: aftermarket.zf.com/catalog

CHART 02

Input Shaft & Main Shaft

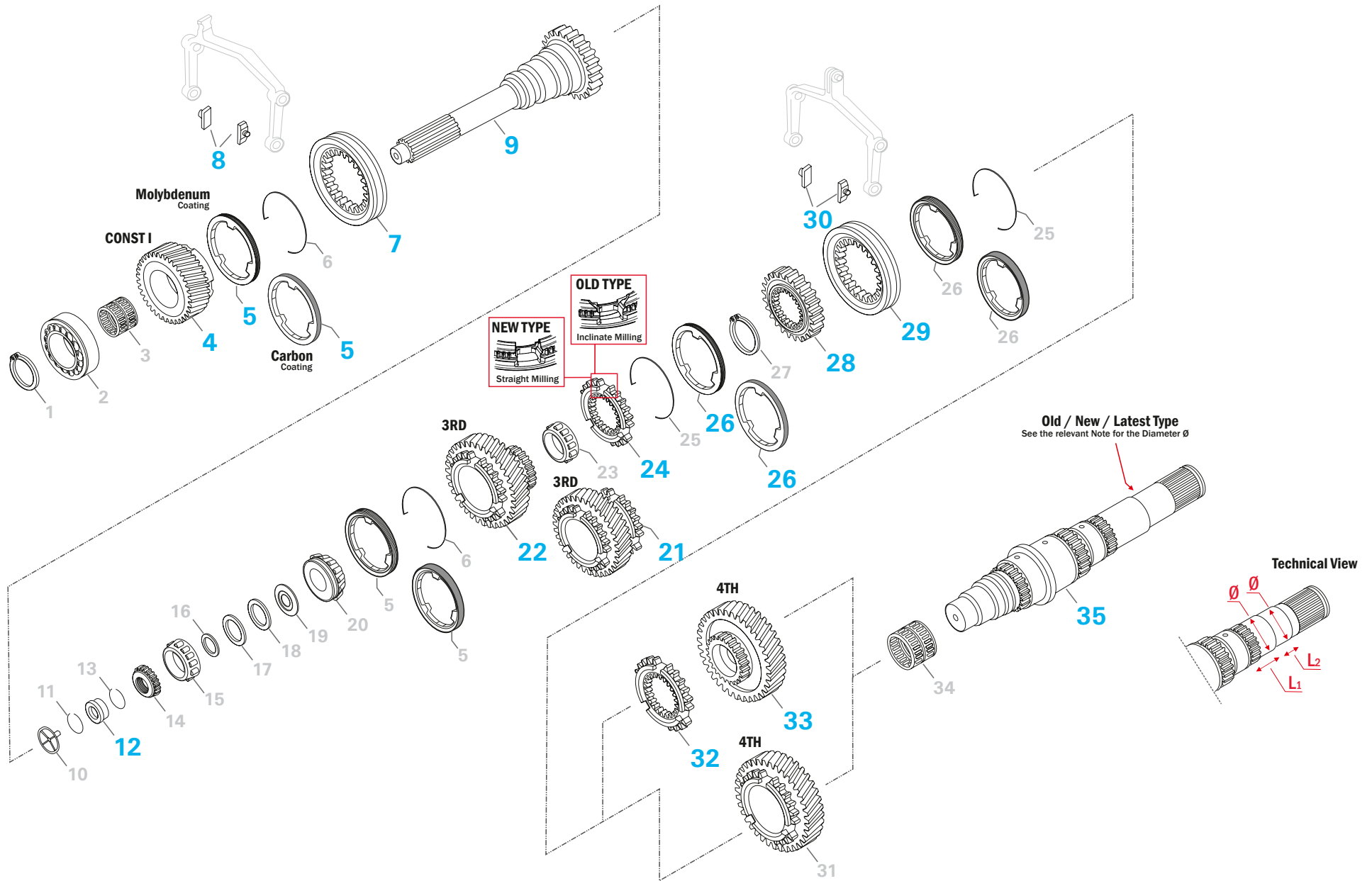


FIG.	G210-16	G211-16	G240-16	ZF	Mercedes*	Description	Qty	Notes
4				0073.301.193	945 262 4110	Gear, main shaft (32-60T.)	1	Inclinate Milling (C)
5				0073.301.184	947 260 0545	Synchronizer Ring, manual transmission (CARBON FIBER)	2	Carbonium
7				0073.298.075	945 262 2823	Repair Kit, automatic transmission SYNCHRO SLIDING SLEEVE (60T.)	1	©
7				0073.301.174	945 262 6823	Gearshift Sleeve, manual transmission (60T.)	1	(D)
8				0073.301.208	947 265 0349	Synchronizer Body, manual transmission	2	
9				0073.301.182	389 262 8301	Transmission Input Shaft, manual transmission (60-18T.)	1	715.520/521
12				0073.298.069	000 262 8762	Repair Kit, automatic transmission OIL SEAL RING (78,5X105X7)	1	
21				0073.298.075	389 262 3810	Repair Kit, automatic transmission 3RD SPEED GEAR (36-60-60T.)	1	Inclinate Milling (A)
22				0073.301.181	945 262 9517	3RD Gear, main shaft (36-44-60T.)	1	Straight Milling (D)
24				0073.301.198	945 262 0534	Synchronizer Cone, speed change gear (66-44T.)	1	Inclinate Milling (BC)
24				0073.301.188	945 262 8234	Synchronizer Cone, speed change gear (66-44T.)	1	Straight Milling (D)
26				0073.301.169	946 262 6137	Synchronizer Ring, manual transmission (MOLYBDENUM)	2	(D)
26				0073.301.169	947 260 1945	Synchronizer Ring, manual transmission (CARBON FIBER)	2	Carbonium (D)
28				0073.301.196	389 262 2835	Synchronizer Body, manual transmission (60-28T.)	1	(A)
28				0073.301.160	389 262 4735	Synchronizer Body, manual transmission (66-32T.)	1	(BCD)
29				0073.298.075	945 262 2823	Repair Kit, automatic transmission SYNCHRO SLIDING SLEEVE (60T.)	1	(A)
29				0073.301.197	945 262 2723	Gearshift Sleeve, manual transmission (66T.)	1	(BC)
29				0073.301.186	945 262 6523	Gearshift Sleeve, manual transmission (66T.)	1	(D)
30				0073.301.208	947 265 0349	Synchronizer Body, manual transmission	2	
32				0073.301.198	945 262 0534	Synchronizer Cone, speed change gear (66-44T.)	1	Inclinate Milling (BC)

* For complete list of ex numbers please see: aftermarket.zf.com/catalog

CHART 02

Input Shaft & Main Shaft

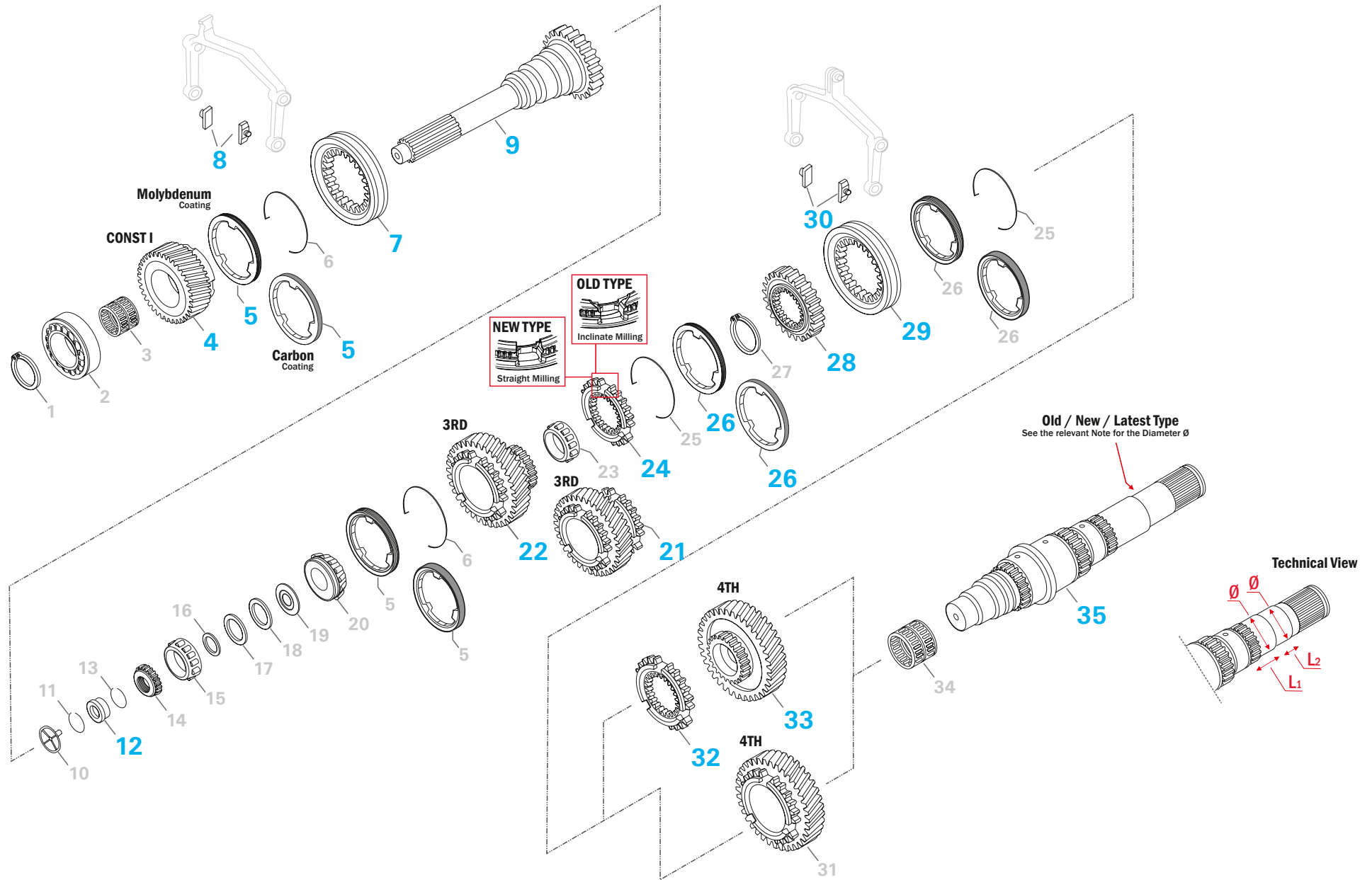


FIG.	G210-16	G211-16	G240-16	ZF	Mercedes*	Description	Qty	Notes
32				0073.301.188	945 262 8234	Synchronizer Cone, speed change gear (66-44T.)	1	Straight Milling (D)
33				0073.301.167	389 262 3713	4TH Gear, main shaft (29-44T.)	1	(BCD)
35				0073.301.199	389 262 2405	Main Shaft, manual transmission (28-32-28-28T.)	1	Ø 75 > L1=55 mm // Ø 64 > L2=34
35				0073.301.178	945 262 3605	Main Shaft, manual transmission (32-32-28-28T.)	1	Ø 75 > L1=55 mm // Ø 64 > L2=34
35				0073.301.162	945 262 4505	Main Shaft, manual transmission (32-32-28-28T.)	1	Ø 75 > L1=48 mm // Ø 64 > L2=34

* For complete list of ex numbers please see: aftermarket.zf.com/catalog

CHART 03 Main Shaft & Sun Gear

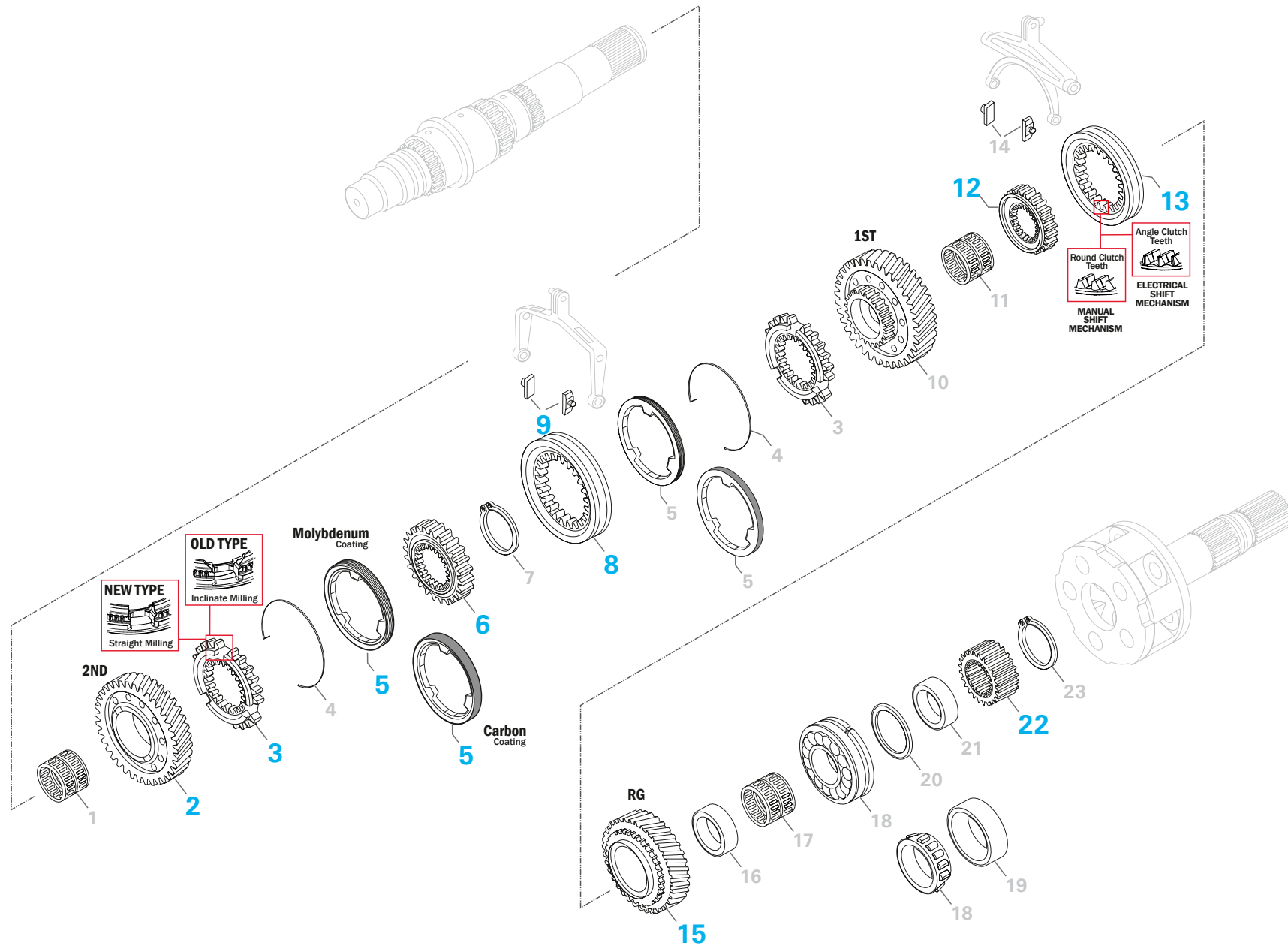


FIG.	G210-16	G211-16	G240-16	ZF	Mercedes*	Description	Qty	Notes
2				0073.301.156	945 262 3112	2ND Gear, main shaft (39-44T.)	1	
3				0073.301.200	945 262 0434	Synchronizer Cone, speed change gear (66-44T.)	2	Inclinate Milling ©
3				0073.301.183	945 262 5534	Synchronizer Cone, speed change gear (66-44T.)	2	Straight Milling (D)
5				0073.301.169	947 260 1945	Synchronizer Ring, manual transmission (CARBON FIBER)	2	Carbonium(D)
6				0073.301.170	389 262 2535	Synchronizer Body, manual transmission (66-32T.)	1	
8				0073.301.197	945 262 2723	Gearshift Sleeve, manual transmission (66T.)	1	(C)
8				0073.301.186	945 262 6523	Gearshift Sleeve, manual transmission (66T.)	1	(D)
9				0073.301.208	947 265 0349	Synchronizer Body, manual transmission	2	
10				0073.301.159	389 262 2711	1ST Gear, main shaft (44-44T.)	1	(K)(X)
12				0073.301.201	389 262 0135	Synchronizer Body, manual transmission (37-28T.)	1	With Round Clutch Teeth
13				0073.301.163	389 262 1723	Gearshift Sleeve, manual transmission (37T.)	1	With Round Clutch Teeth
13				0073.301.202	389 262 1823	Gearshift Sleeve, manual transmission (37T.)	1	With Angle Clutch Teeth
15				0073.301.161	389 262 1733	Pulley, reverse gear (40-37T.)	1	With Round Clutch Teeth (K)(X)
15				0073.301.203	945 262 3233	Pulley, reverse gear (40-37T.)	1	With Round Clutch Teeth (K)(X)
22				0073.301.158	945 262 0909	Gear, main shaft (25-28T.)	1	

* For complete list of ex numbers please see: aftermarket.zf.com/catalog

CHART 04

CounterShaft, RG & PTO

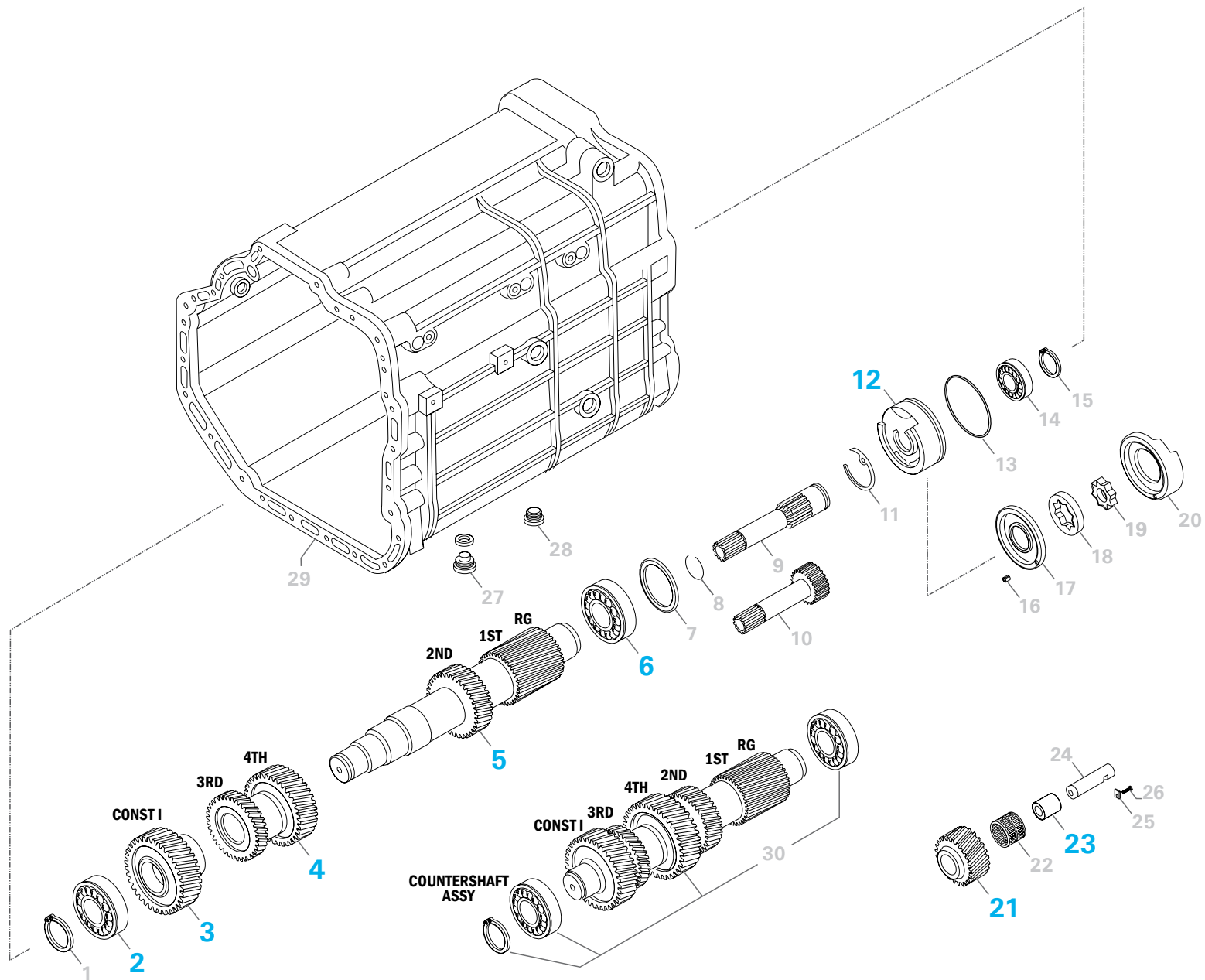


FIG.	G210-16	G211-16	G240-16	ZF	Mercedes*	Description	Qty	Notes
2				0073.298.065	014 981 1405	Repair Kit, automatic transmission TAPERED ROLLER BEARING (50,8X100X34)	1	
3				0073.301.154	945 263 0810	CONSTANT Gear, countershaft (31T.)	1	
4				0073.301.165	945 263 3213	3RD-4TH Gear, countershaft (34-29T.)	1	
5				0073.301.157	945 263 2902	Countershaft, manual transmission (16-21T.)	1	
6				0073.301.072	016 981 1205	Bearing (60X130X33,5)	1	
12				0073.301.233	389 260 0690	Oil Pump, manual transmission	1	Old Type Assy
21				0073.301.177	389 263 1031	Pulley, reverse gear (21T.)	1	
23				0073.301.166	389 263 0850	Bush, selector-/shift rod	1	

CHART 05

Planetary Reduction Unit

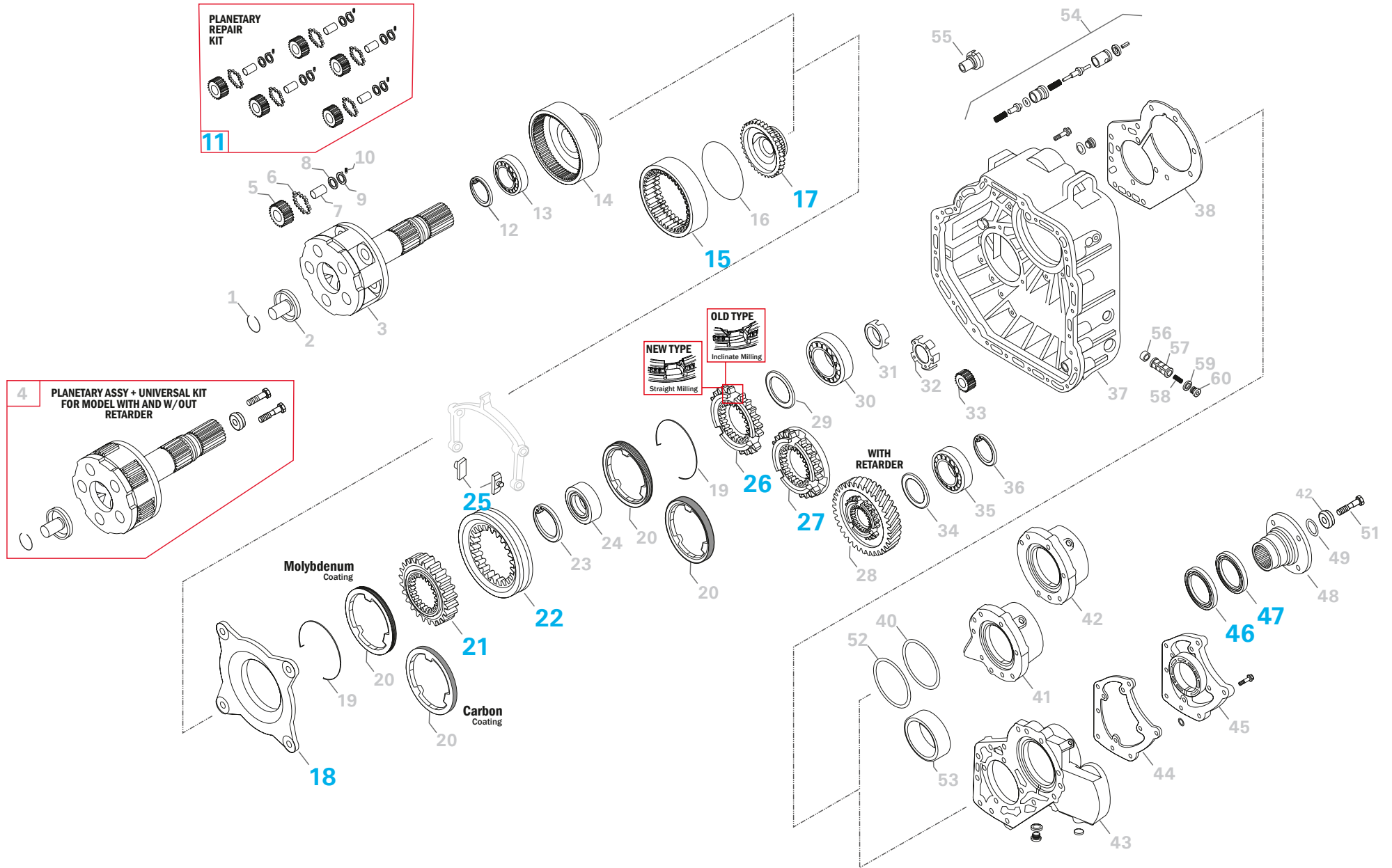
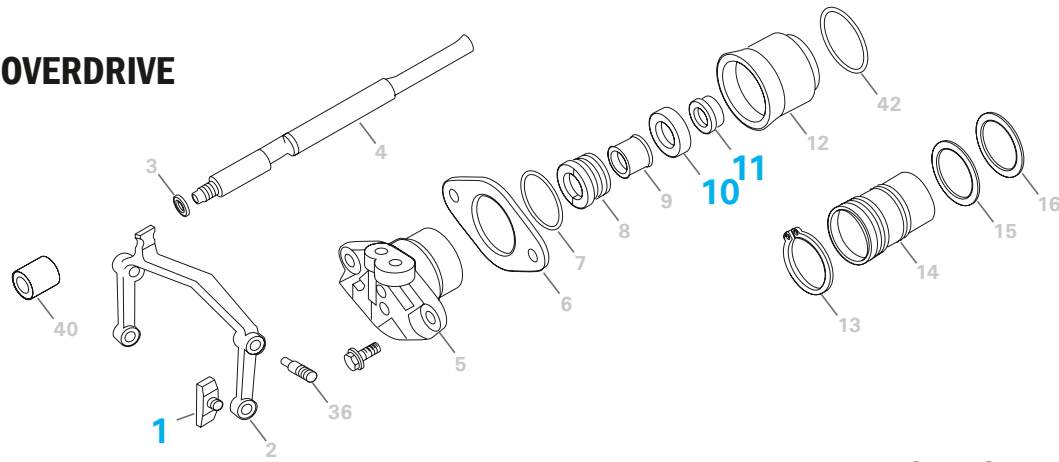


FIG.	G210-16	G211-16	G240-16	ZF	Mercedes*	Description	Qty	Notes
11				0073.301.164	946 260 0097	Repair Kit, automatic transmission Downstream group (28T.)	1	
15				0073.301.172	945 262 0808	Gearshift Sleeve, manual transmission (85T.)	1	D.269 mm – H 70 mm
15				0073.301.172	945 262 0808	Gearshift Sleeve, manual transmission (85T.)	1	D.271 mm – H 70 mm
17				0073.301.171	930 262 0125	Synchronizer Body, manual transmission (85T.)	1	
18				0073.298.073	389 260 2036	Repair Kit, automatic transmission (73T.)	1	Inclinate Milling (H)
18				0073.301.189	947 260 3036	Synchronizer Cone, speed change gear (73T.)	1	Straight Milling (L)
21				0073.301.155	389 262 2035	Synchronizer Body, manual transmission (73T.)	1	
22				0073.298.073	945 262 6623	Repair Kit, automatic transmission (73T.)	1	(H)
22				0073.301.175	945 262 6923	Gearshift Sleeve, manual transmission (73T.)	1	(L)
25				0073.301.208	947 265 0349	Synchronizer Body, manual transmission	2	L = 14 / D = 13 mm
26				0073.298.073	389 262 4434	Repair Kit, automatic transmission (73T.)	1	Inclinate Milling (H)
27				0073.301.205	389 262 9234	Synchronizer Cone, speed change gear (73T.)	1	Inclinate Milling (H)
27				0073.301.173	945 262 3834	Synchronizer Cone, speed change gear (73T.)	1	Straight Milling (L)
46				0073.298.067	013 997 7347	Repair Kit, automatic transmission OIL SEAL RING (95X115X13/12)	1	
47				0073.298.069	013 997 7247	Repair Kit, automatic transmission OIL SEAL RING (95X115X13)	1	

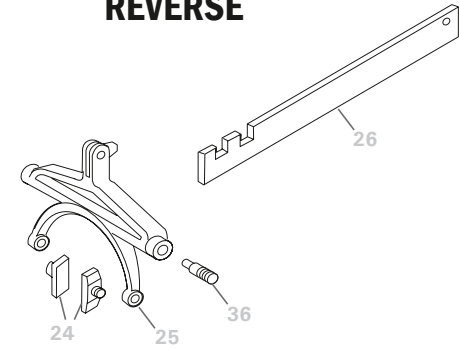
CHART 06

Forks, Reduction & Splitter

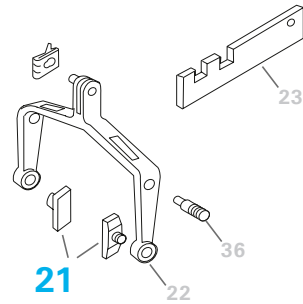
OVERDRIVE



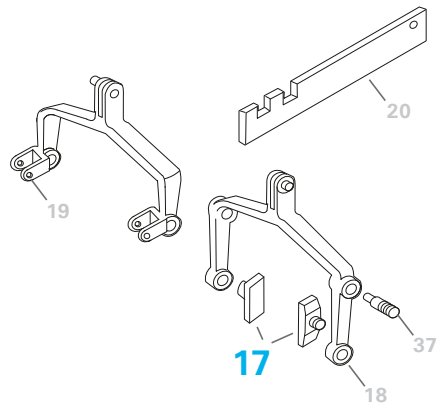
REVERSE



1ST / 2ND



3RD / 4TH



PLANETARY REDUCTION

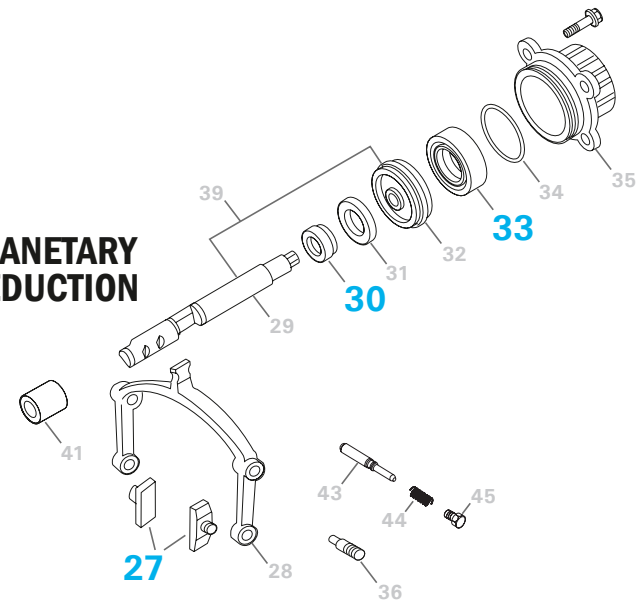
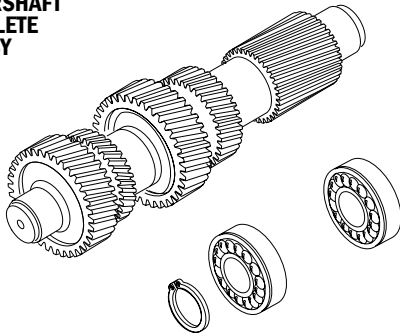


FIG.	G210-16	G211-16	G240-16	ZF	Mercedes*	Description	Qty	Notes
1				0073.301.208	947 265 0349	Synchronizer Body, manual transmission	2	
10				0073.298.067	006 997 6447	Repair Kit, automatic transmission OIL SEAL RING (41X48X11,5)	1	
11				0073.301.216	000 267 0197	Seal, trans. input shaft (manual transmission) (22X32X5/8)	1	
17				0073.301.208	947 265 0349	Synchronizer Body, manual transmission	2	
21				0073.301.208	947 265 0349	Synchronizer Body, manual transmission	2	
27				0073.301.208	947 265 0349	Synchronizer Body, manual transmission	2	L = 14 / D = 13 mm New Type
30				0073.301.216	000 267 0197	Seal, trans. input shaft (manual transmission) (22X32X5/8)	1	
33				0073.298.067	024 997 8347	Repair Kit, automatic transmission OIL SEAL RING (80X90X17)	1	

CHART 07

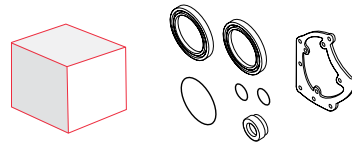
Repair Kits

**COUNTERSHAFT
COMPLETE
ASSY**



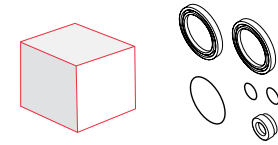
1

**COMPLETE
GASKETS + OIL SEALS + O-RINGS
SKIT**



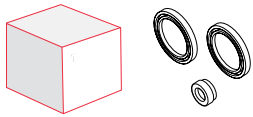
2

**COMPLETE
OIL SEALS & O-RINGS
KIT**



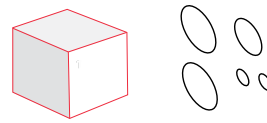
3

**COMPLETE
OIL SEALS
KIT**



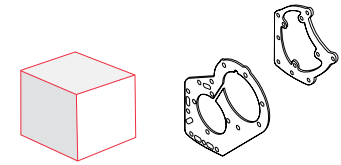
4

**COMPLETE
O-RINGS
KIT**



5

**COMPLETE
GASKETS
KIT**



6

FIG.	G210-16	G211-16	G240-16	ZF	Mercedes*	Description	Qty	Notes
1				0073.298.066	945 260 7224	Repair Kit, automatic transmission	1	
2				0073.298.067		Repair Kit, automatic transmission	1	
4				0073.298.069		Repair Kit, automatic transmission	1	
5				0073.298.070		Repair Kit, automatic transmission	1	
6				0073.298.071		Repair Kit, automatic transmission	1	

* For complete list of ex numbers please see: aftermarket.zf.com/catalog

ZF Friedrichshafen AG

ZF Aftermarket
Obere Weiden 12
97424 Schweinfurt
Germany

Phone +49 9721 4756-0
Fax +49 9721 4755000
aftermarket.zf.com



twitter.com/zf_konzern
facebook.com/zfgroup.global
youtube.com/zffriedrichshafenag

Legal disclaimer: The ZF Friedrichshafen AG products described above are specially designed for their specified intended use and may not be used for any other purpose. However, ZF makes neither an explicit nor an implied guarantee for the suitability of the products for certain intended uses neither explicitly agreed nor agreed in writing between ZF and its customers. The details in this flyer are, in particular, not binding with regard to the nature of the products. Only those written agreements made in the ordering process, in particular those concerning the nature of each product, shall be decisive in terms of ZF's contractual obligations. Proper assembly of the products is also a prerequisite for this guarantee. Details in advertising material are non-binding and cannot be consulted in determining the nature of the products. Subject to change without notice. Errors and omissions excepted.