

Transmission Repair Parts for Mercedes.

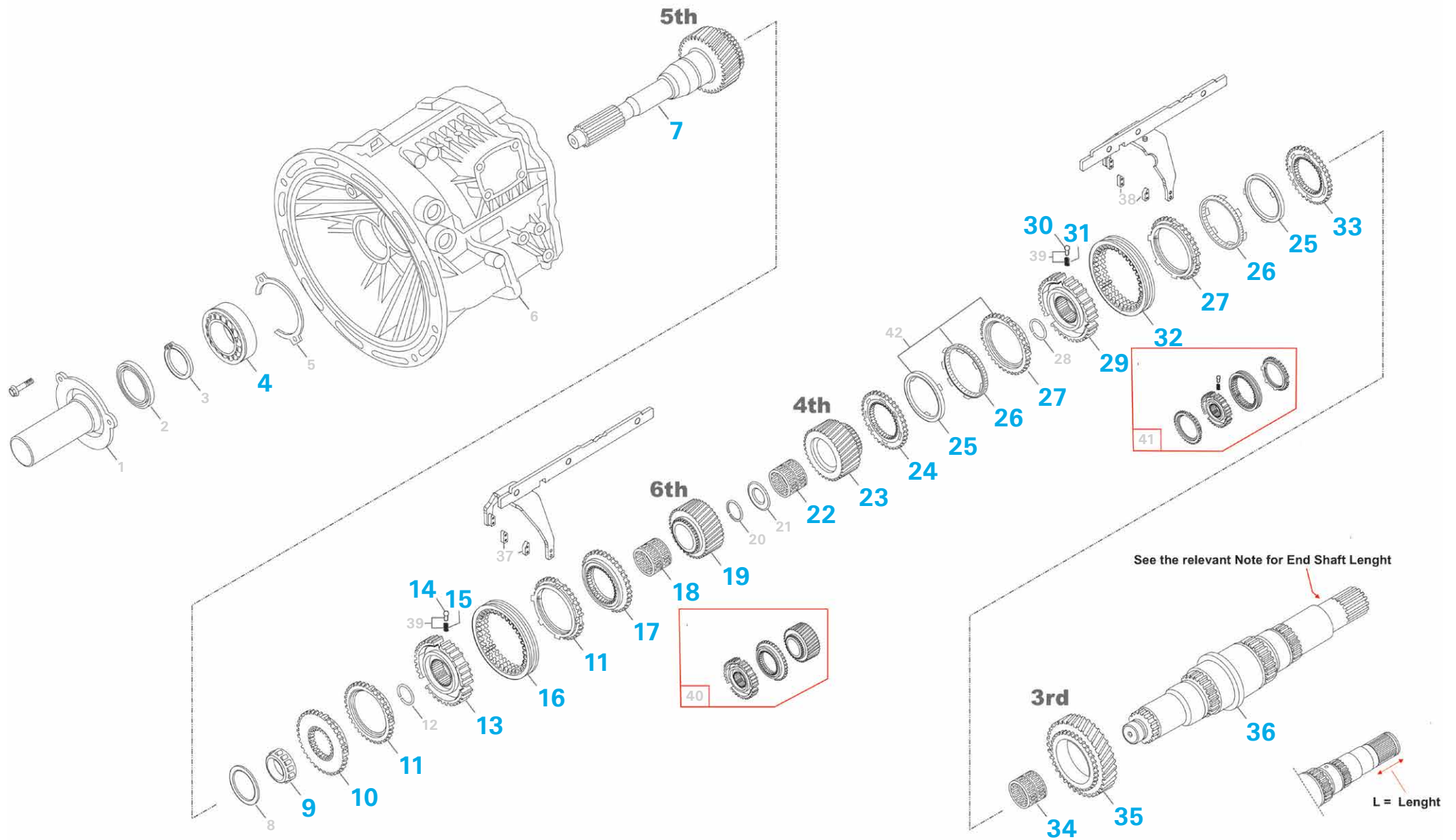
G85

01.02.2022



CHART 01

Input Shaft & Front Cover



Pin	ZF	MERCEDES*	Description	Qty	Notes
4	0073.301.112	99815525	Bearing, transmission output shaft (manual transmission) (55X120X29)	1	
7	0073.301.110	9762621402	Transmission Input Shaft, manual transmission (18-28-46T.)	1	
9	0073.301.113	97698112	Bearing, transmission output shaft (manual transmission) (37X57X31)	1	
10	0073.301.120	9702621534	Synchronizer Cone, speed change gear (60-46T.)	1	
11	0073.301.126	9702623037	Synchronizer Ring, manual transmission (48T.)	2	
13	0073.301.129	69526235	Synchronizer Body, manual transmission (54-24T.)	1	(A)
14	0073.301.150	970262274	Pin	3	
15	0073.301.151	9709936401	Retaining Spring	3	
16	0073.301.132	9702622923	Gearshift Sleeve, manual transmission (60T.)	1	
17	0073.301.121	69526234	Synchronizer Cone, speed change gear (60-46T.)	1	(A)
18	0073.301.114	189813610	Bearing, transmission output shaft (manual transmission) (50X56X43,7)	1	
19	0073.301.135	976262816	6TH Gear, main shaft (24-24T.)	1	(B)
22	0073.301.115	239818210	Bearing, transmission output shaft (manual transmission) (72X80X29,8)	1	
23	0073.301.136	9702621114	4TH Gear, main shaft (35-54T.)	1	
24	0073.301.122	9702622434	Synchronizer Ring, manual transmission (66-54T.)	1	
25	0073.301.148	9702623537	Synchronizer Body, manual transmission	2	
26	0073.301.145	9702623134	Synchronizer Body, manual transmission	2	
27	0073.301.127	9702623937	Synchronizer Body, manual transmission (66T.)	2	
29	0073.301.130	9702622535	Synchronizer Body, manual transmission (54-40T.)	1	

(A) To be coupled together (Version with WELDLLESS synchro cones)

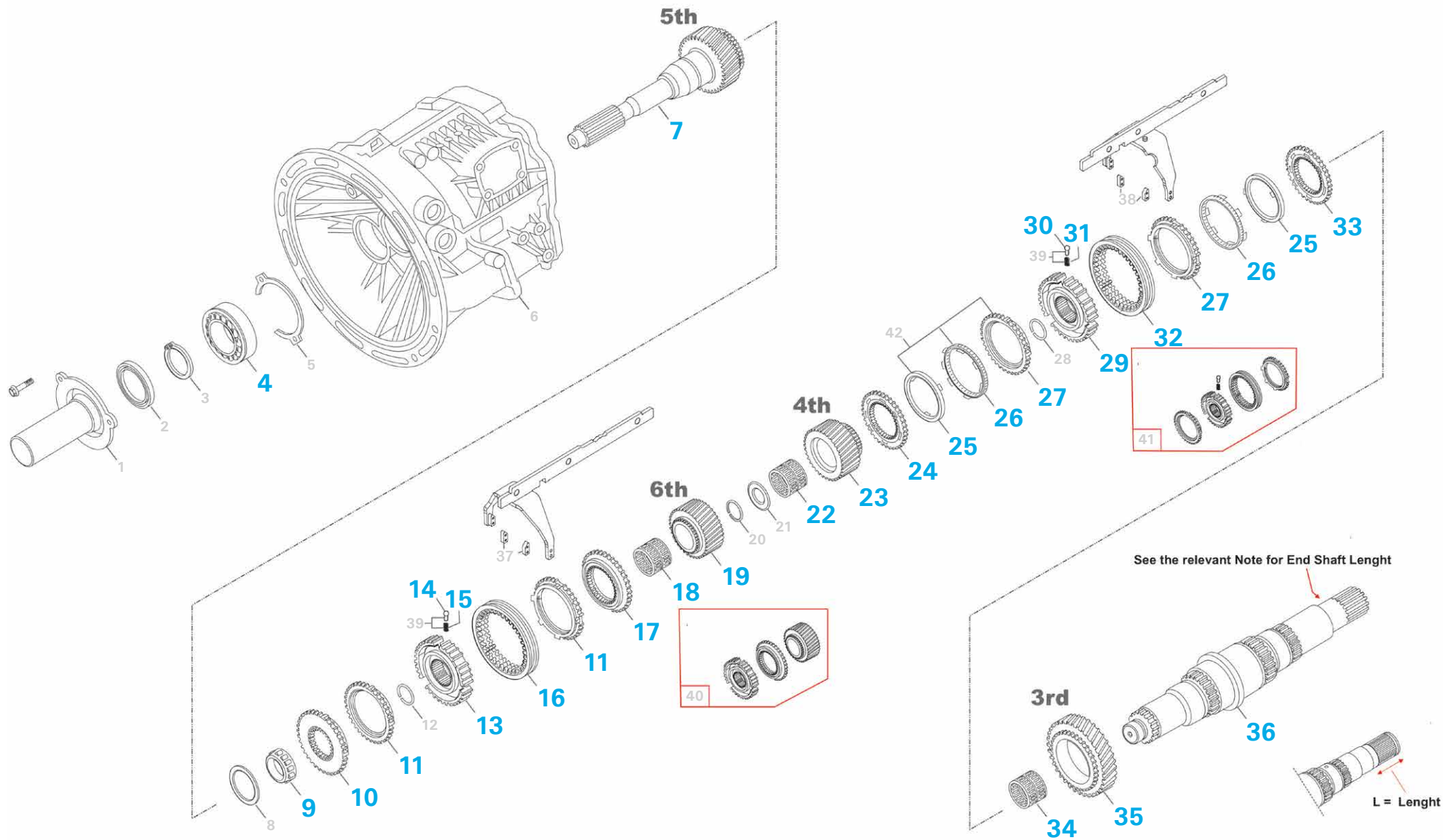
(B) To be coupled together (Version with WELDED synchro cones)

#) To be coupled together (LATAM - Latin American Market - ONLY)

* For complete list of ex numbers please see: aftermarket.zf.com/catalog

CHART 01

Input Shaft & Front Cover



Pin	ZF	MERCEDES*	Description	Qty	Notes
30	0073.301.150	970262274	Pin	3	
31	0073.301.151	9709936401	Retaining Spring	3	
32	0073.301.133	9702623423	Gearshift Sleeve, manual transmission (66T.)	1	
33	0073.301.123	9702622534	Synchronizer Ring, manual transmission (66-44T.)	1	
34	0073.301.116	239813810	Bearing, transmission output shaft (manual transmission) (86X94X45)	1	
35	0073.301.137	975262113	3RD Gear, main shaft (47-44T.)	1	
36	0073.301.149	9762621705	Main Shaft, manual transmission (24-40-40-32-26T.)	1	New Type End Shaft L=89mm

* For complete list of ex numbers please see: aftermarket.zf.com/catalog

(A) To be coupled together (Version with WELDLESS synchro cones)
 (B) To be coupled together (Version with WELDED synchro cones)
 (#) To be coupled together (LATAM - Latin American Market - ONLY)

CHART 02 Main Shaft & Countershaft

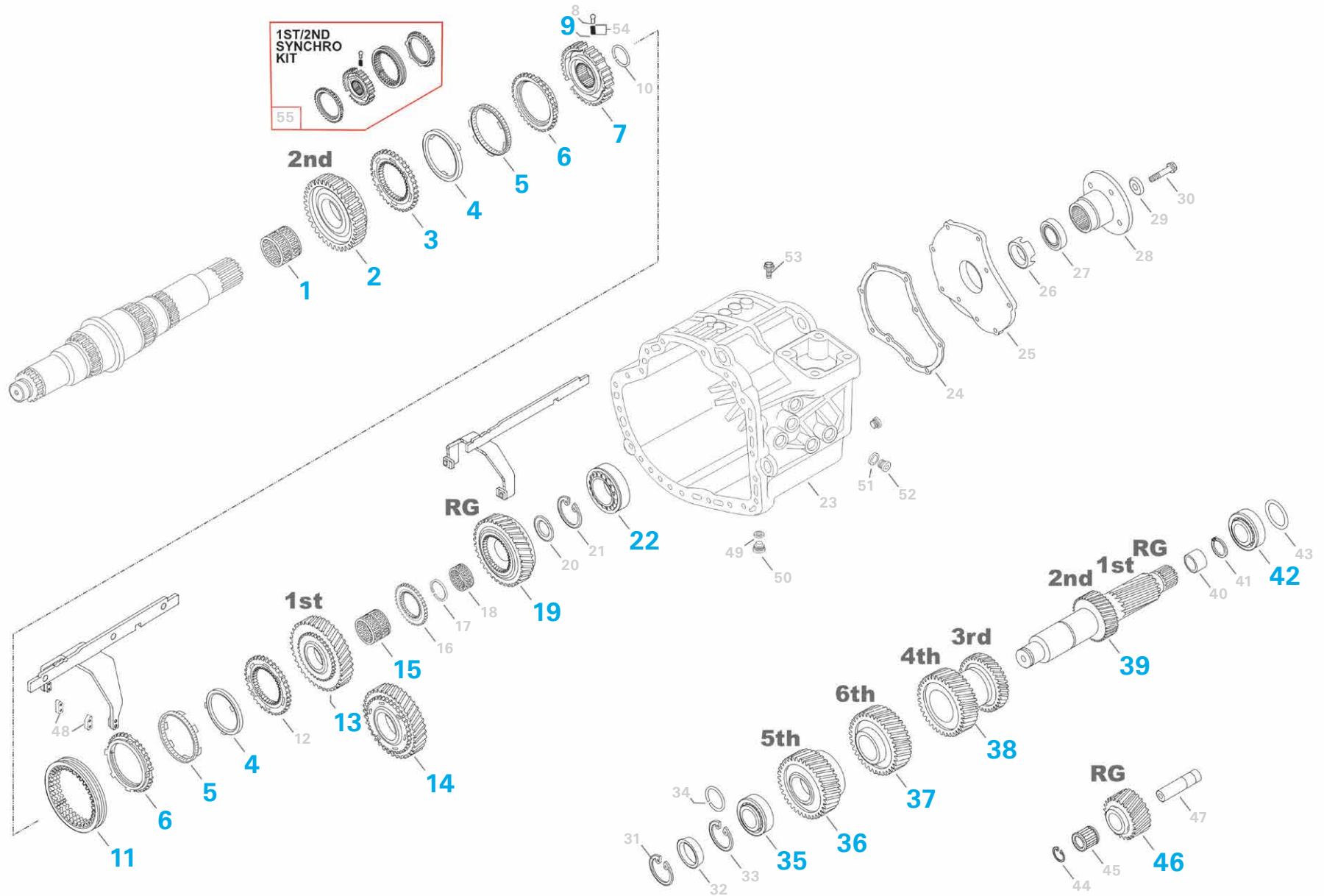


FIG.	ZF	MERCEDES*	Description	Qty	Notes
1	0073.301.116	189815810	Bearing, transmission output shaft (manual transmission) (86X94X45)	1	
2	0073.301.138	9702621012	2ND Gear, main shaft (45-58T.)	1	
3	0073.301.124	9702622334	Synchronizer Ring, manual transmission (57-58T.)	1	
4	0073.301.128	9702623437	Synchronizer Ring, manual transmission	2	
5	0073.301.146	9702623034	Synchronizer Ring, manual transmission	2	
6	0073.301.147	9702623837	Synchronizer Body, manual transmission (72T.)	2	
7	0073.301.131	9702622435	Synchronizer Body, manual transmission (48-40T.)	1	
8	0073.301.150	970262274	Pin	3	
9	0073.301.151	9709936401	Retaining Spring	3	
11	0073.301.134	9702623323	Gearshift Sleeve, manual transmission (57T.)	1	
13	0073.301.139	970262311	1ST Gear, main shaft (50-46T.)	1	
14	0073.301.139	970262311	1ST Gear, main shaft (50-46T.)	1	
15	0073.301.117	189815310	Bearing, transmission output shaft (manual transmission) (72X80X40)	1	
19	0073.301.140	970262533	Pulley, reverse gear (47-27T.)	1	
22	0073.301.112	99815525	Bearing, transmission output shaft (manual transmission) (55X120X29)	1	
35	0073.301.111	99815225	Bearing, transmission output shaft (manual transmission) (45X100X25)	1	
36	0073.301.144	9762631110	Gearshift Sleeve, manual transmission (45T.)	1	
37	0073.301.141	976263216	6TH Gear, countershaft (53T.)	1	
38	0073.301.142	970263713	3RD-4TH Gear, countershaft (33-38T.)	1	
39	0073.301.119	970263702	Countershaft, manual transmission (17-12-19T.)	1	

* For complete list of ex numbers please see: aftermarket.zf.com/catalog

CHART 02 Main Shaft & Countershaft

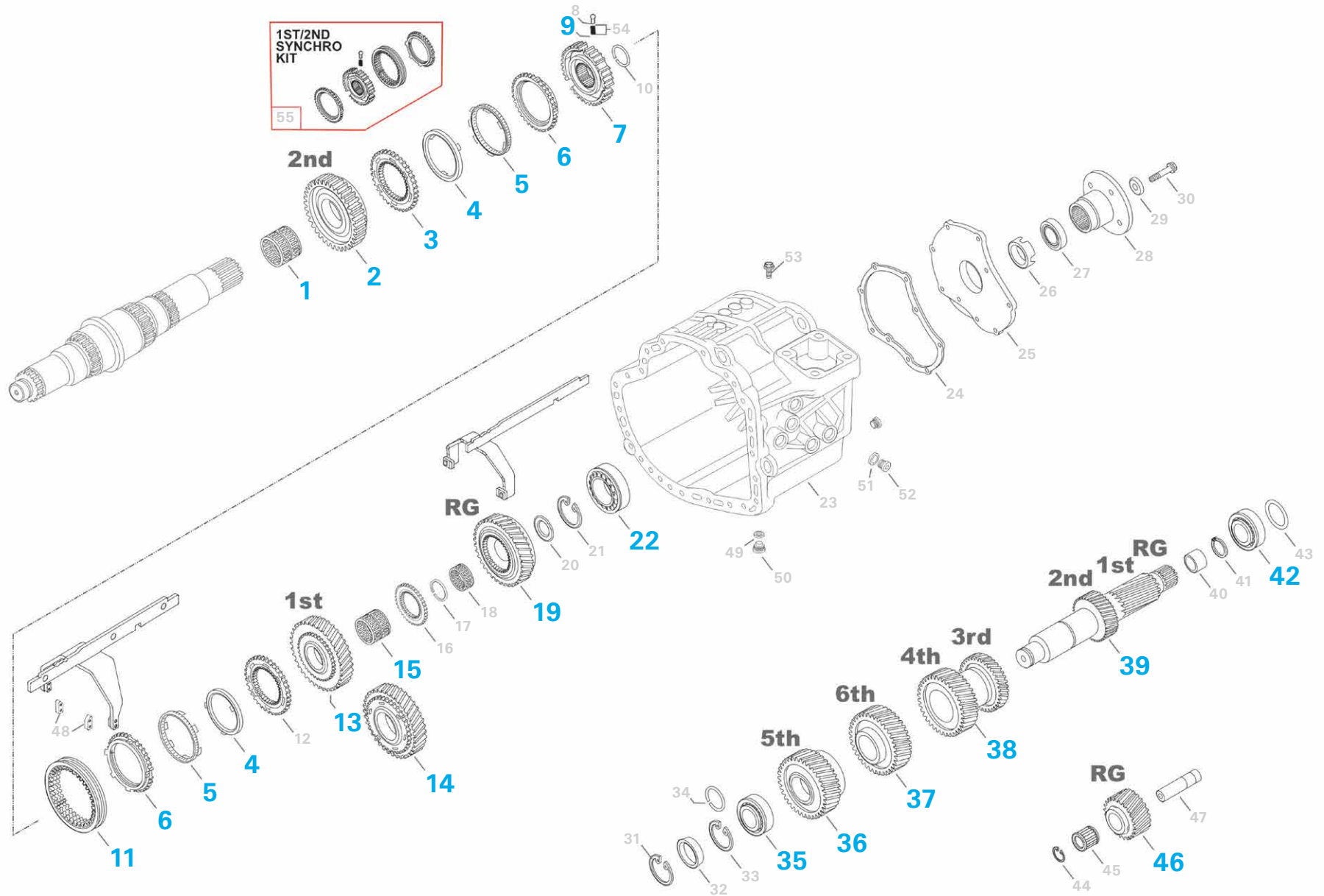
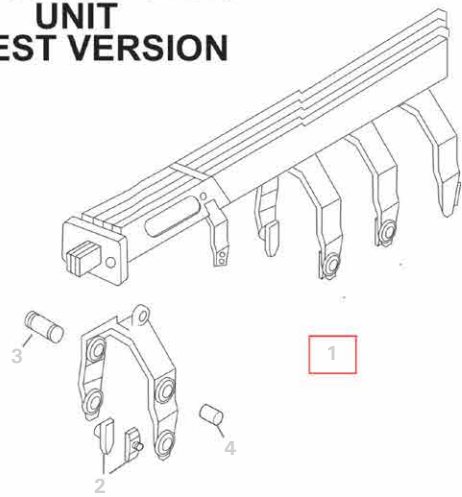


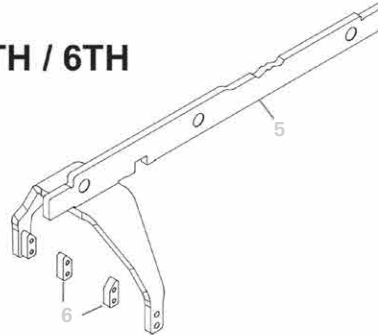
FIG.	ZF	MERCEDES*	Description	Qty	Notes
42	0073.301.118	29817512	Bearing, transmission output shaft (manual transmission) (80X26,5)	1	
46	0073.301.143	970263331	Pulley, reverse gear (21T.)	1	

CHART 03
Forks

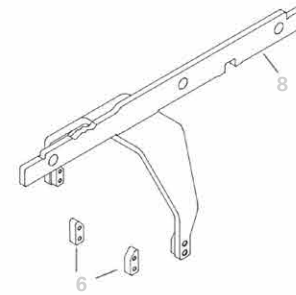
**COMPLETE
SELECTOR FORKS
UNIT
LATEST VERSION**



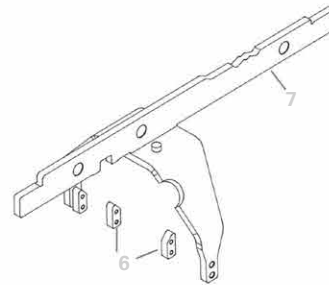
5TH / 6TH



1ST / 2ND



3RD / 4TH



REVERSE

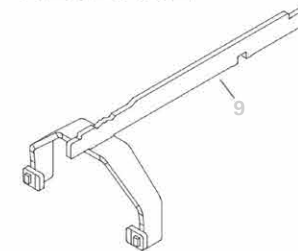


FIG.	ZF	MERCEDES*	Description	Qty	Notes
------	----	-----------	-------------	-----	-------

* For complete list of ex numbers please see: aftermarket.zf.com/catalog

ZF Friedrichshafen AG

ZF Aftermarket
Obere Weiden 12
97424 Schweinfurt
Germany

Phone +49 9721 4756-0
Fax +49 9721 4755000
aftermarket.zf.com



twitter.com/zf_konzern
facebook.com/zfgroup.global
youtube.com/zffriedrichshafenag

Legal disclaimer: The ZF Friedrichshafen AG products described above are specially designed for their specified intended use and may not be used for any other purpose. However, ZF makes neither an explicit nor an implied guarantee for the suitability of the products for certain intended uses neither explicitly agreed nor agreed in writing between ZF and its customers. The details in this flyer are, in particular, not binding with regard to the nature of the products. Only those written agreements made in the ordering process, in particular those concerning the nature of each product, shall be decisive in terms of ZF's contractual obligations. Proper assembly of the products is also a prerequisite for this guarantee. Details in advertising material are non-binding and cannot be consulted in determining the nature of the products. Subject to change without notice. Errors and omissions excepted.