

Transmission Repair Parts for VOLVO.

AT2412 C/D/E/F AT2512 C
AT2612 D/E/F AT2812 C/D/E/F
ATO2112 C/D/E/F ATO3512 D/E/F

01.02.2022



CHART 01

Input Shaft & Front Cover

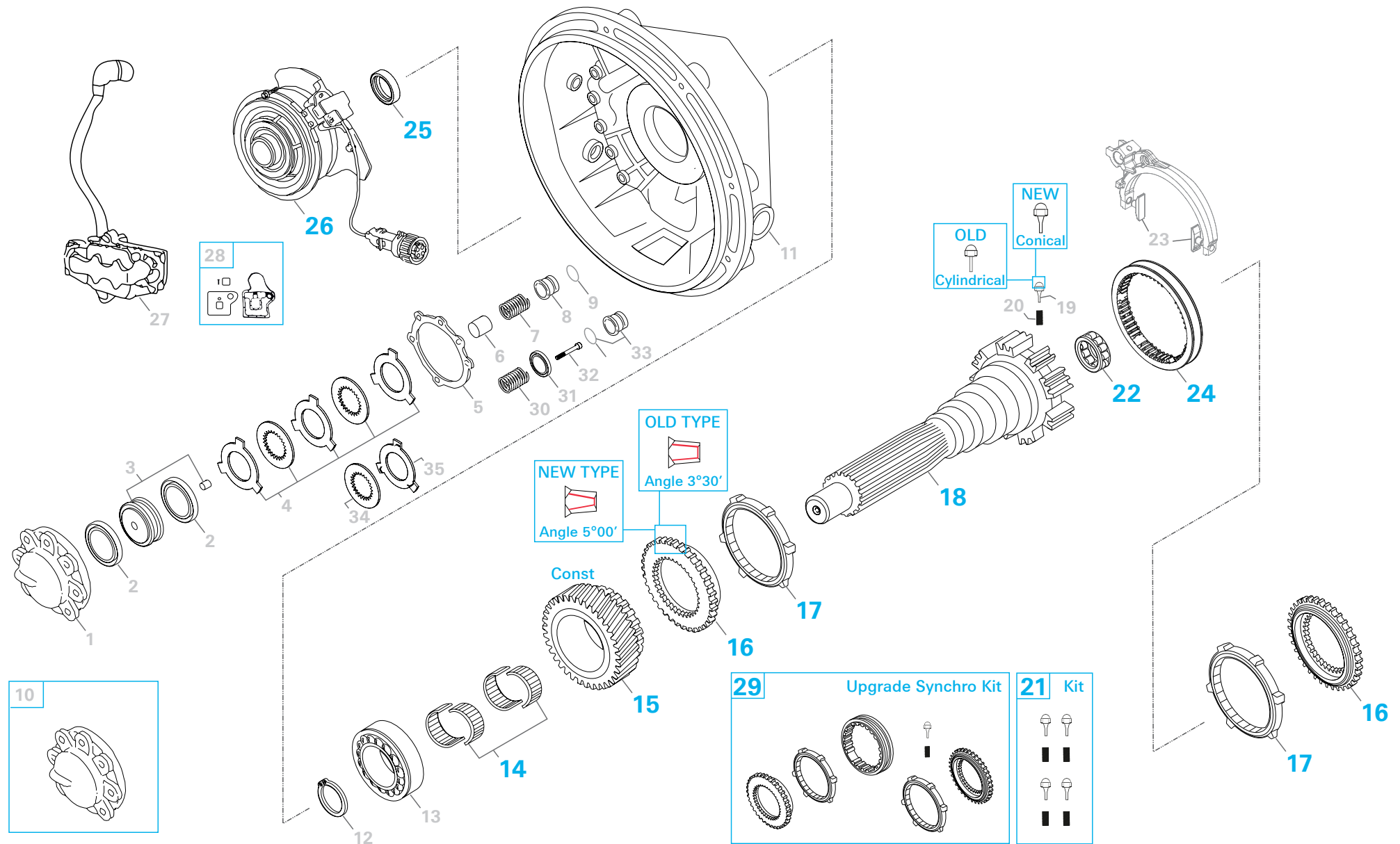


FIG.	AT2412 C-D-E-F	AT2512 C	AT2612 D-E-F	AT2812 C-D-E-F	AT03112 C-D-E-F	AT03512 D-E-F	ZF	VOLVO*	Description	Qty	Notes
14	■	■	■	■	■	■	0073.301.008	1654088	Needle Bearing, Transmission Input Shaft (Manual Transmission), 2PCS (92x100x27)	1	
15	■	■	■	■			0073.301.005	20776783	Constant Gear , Main Shaft (31-28T.)	1	
16	■	■	■	■	■	■	0073.301.025	1673541	(A) Synchro Cone, Speed Change Gear (54-28T.)	2	Old Type
16	■	■	■	■	■	■	0073.301.021	21994372	(B) Synchro Cone, Speed Change Gear (54-28T.)	2	New Type
17	■	■	■	■	■	■	0073.301.023	21992993	Synchronizer Ring, Manual Transmission	2	
18				■	■	■	0073.298.024	21753181	Repair Kit, Automatic Transmission	1	24 Splines with Kit Fig. 21
18	■	■	■				0073.301.017	22392450	Transmission Input Shaft, Manual Transmission w/Pins+Springs, 24 Splines	1	With Kit Fig. 21
18		■	■				0073.301.108	20771700	Transmission Input Shaft, Manual Transmission w/Pins+Springs, 24 Splines	1	With Kit Fig. 21
21	■						0073.298.028	21141850	Repair Kit, Automatic Transmission Pins+Springs	1	
22	■	■	■	■	■	■	0073.301.009	1656116	Bearing, Transmission Input Shaft (Manual Transmission) (40x38)	1	
24	■	■	■	■	■	■	0073.301.024	1673540	(A) Gearshift Sleeve, Manual Transmission (54T.)	1	Old Type
24	■	■	■	■	■	■	0073.301.020	21994373	(B) Gearshift Sleeve, Manual Transmission (54T.)	1	New Type
25	■	■	■	■	■	■	0073.301.012	20483426	Seal, Trans. Input Shaft (Manual Transmission) (57,5x13x90/99)	1	
26	■	■	■	■	■	■	6482.000.155	23417523	Central Slave Cylinder, Clutch, not in connection with DMF	1	
29		■	■	■	■	■	0073.298.028	21671426	(B) Repair Kit, Automatic Transmission	1	New Type

* For complete list of ex numbers please see: aftermarket.zf.com/catalog

(A) To be coupled together (Version with 3° 30' Conical Angle)

(B) To be coupled together (Version with 5° 00' Conical Angle)

CHART 02 Mainshaft

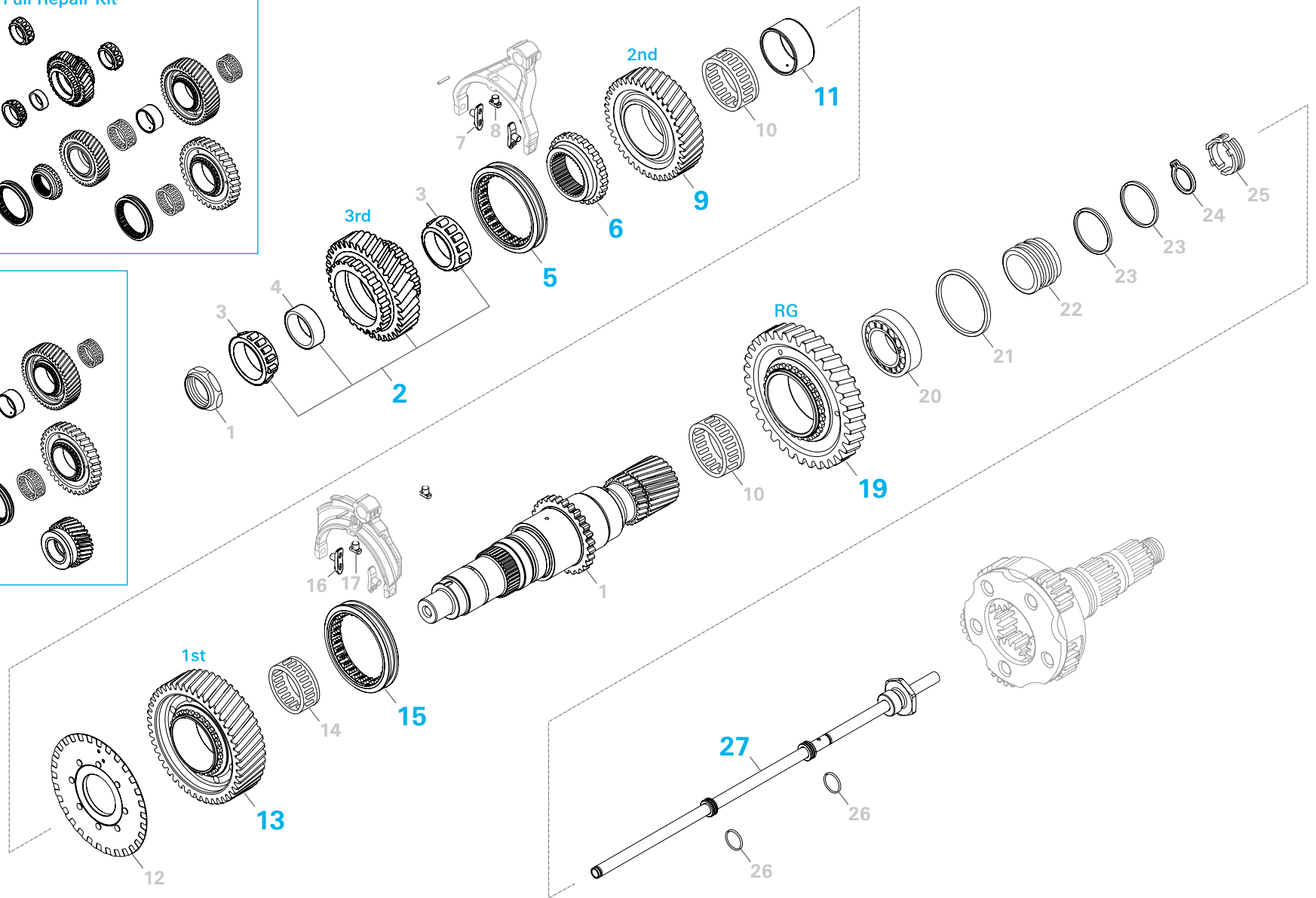


FIG.	AT2412 C-D-E-F	AT2512 C	AT2612 D-E-F	AT2812 C-D-E-F	AT03112 C-D-E-F	AT03512 D-E-F	ZF	VOLVO*	Description	Qty	Notes
2	■	■	■	■	■	■	0073.201.001	22499139	3rd Gear, Main Shaft (28-35T.)	1	Kit Includes Fig. 3 & 4
3								1521596	Tapered Roller Bearing (65x34)	2	Available with Kit Fig. 2
4								1521657	Spacer (T.10,26)	1	Available with Kit Fig. 2
5	■	■	■	■	■	■	0073.301.019	22368562	Gearshift Sleeve, Manual Transmission (28T.)	1	
6	■	■	■	■	■	■	0073.301.018	20532220	Synchronizer Body, Manual Transmission (28-37T.)	1	
9	■	■	■	■	■	■	0073.301.001	22219285	2nd Gear, Main Shaft (28-41T.)	1	
11	■	■	■	■	■	■	0073.301.032	1652578	Synchronizer Ring, Manual Transmission (90x80x46,2)	1	
13	■	■	■	■	■	■	0073.301.109	21979816	1st Gear, Main Shaft (28-46T.)	1	
15	■	■	■	■	■	■	0073.301.019	22368562	Gearshift Sleeve, Manual Transmission (28T.)	1	
18	■	■	■	■	■	■	0073.301.016	20739229	Main Shaft, Manual Transmission (23-23-28-37T.)	1	
19	■	■	■	■	■	■	0073.301.003	22763347	Pulley, Reverse Gear (28-34T.)	1	
27	■	■	■	■	■	■	0073.301.011	21016548	Oil Pipe, Oil Distributor Shaft Planetary Gearbox	1	
28	■	■	■	■	■	■	0073.298.038	21671433	Repair Kit, Automatic Transmission	1	
29	■	■	■	■	■	■	0073.298.026	22523891	Repair Kit, Automatic Transmission	1	

* For complete list of ex numbers please see: aftermarket.zf.com/catalog

CHART 03 Countershaft & RG

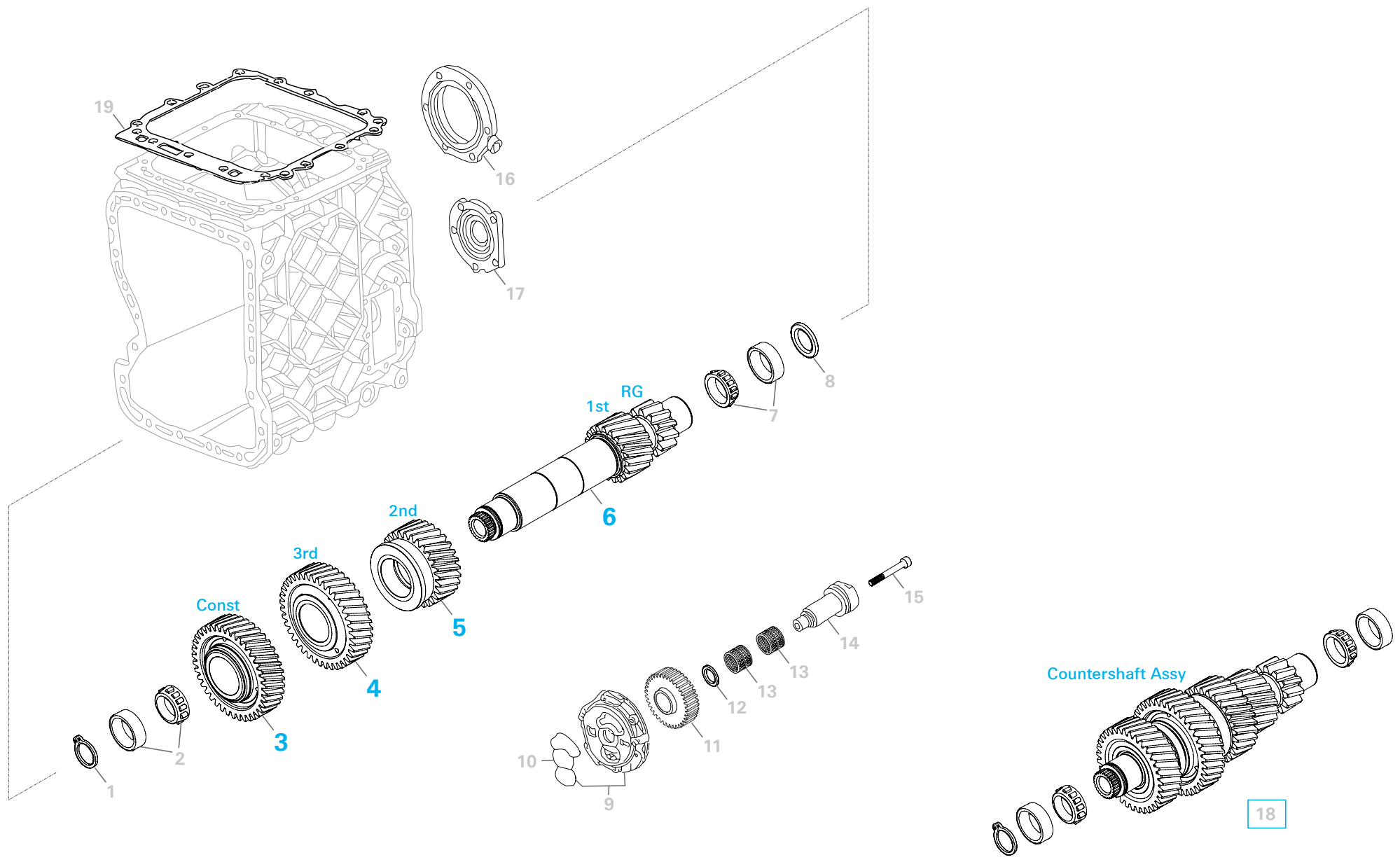


FIG.	AT2412 C-D-E-F	AT2512 C	AT2612 D-E-F	AT2812 C-D-E-F	ATO3112 C-D-E-F	ATO3512 D-E-F	ZF	VOLVO*	Description	Qty	Notes
3	■	■	■	■			0073.301.006	1521913	Constant Gear, Countershaft (44T.)	1	
4	■	■	■	■	■	■	0073.301.002	20483434	3rd Gear, Countershaft (39T.)	1	
5	■	■	■	■	■	■	0073.301.004	22219353	2nd Gear, Countershaft (28T.)	1	
6		■	■	■	■	■	0073.301.014	20544785	Countershaft, Manual Transmission (19-12T.)	1	AT2512C
6	■	■	■				0073.301.015	20544787	Countershaft, Manual Transmission (19-12T.)	1	ATO2512C

CHART 04 Reduction Unit (GP)

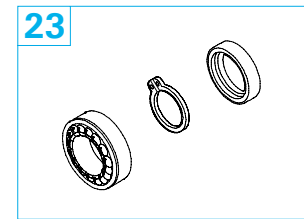
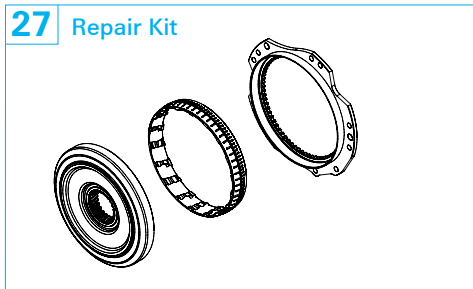
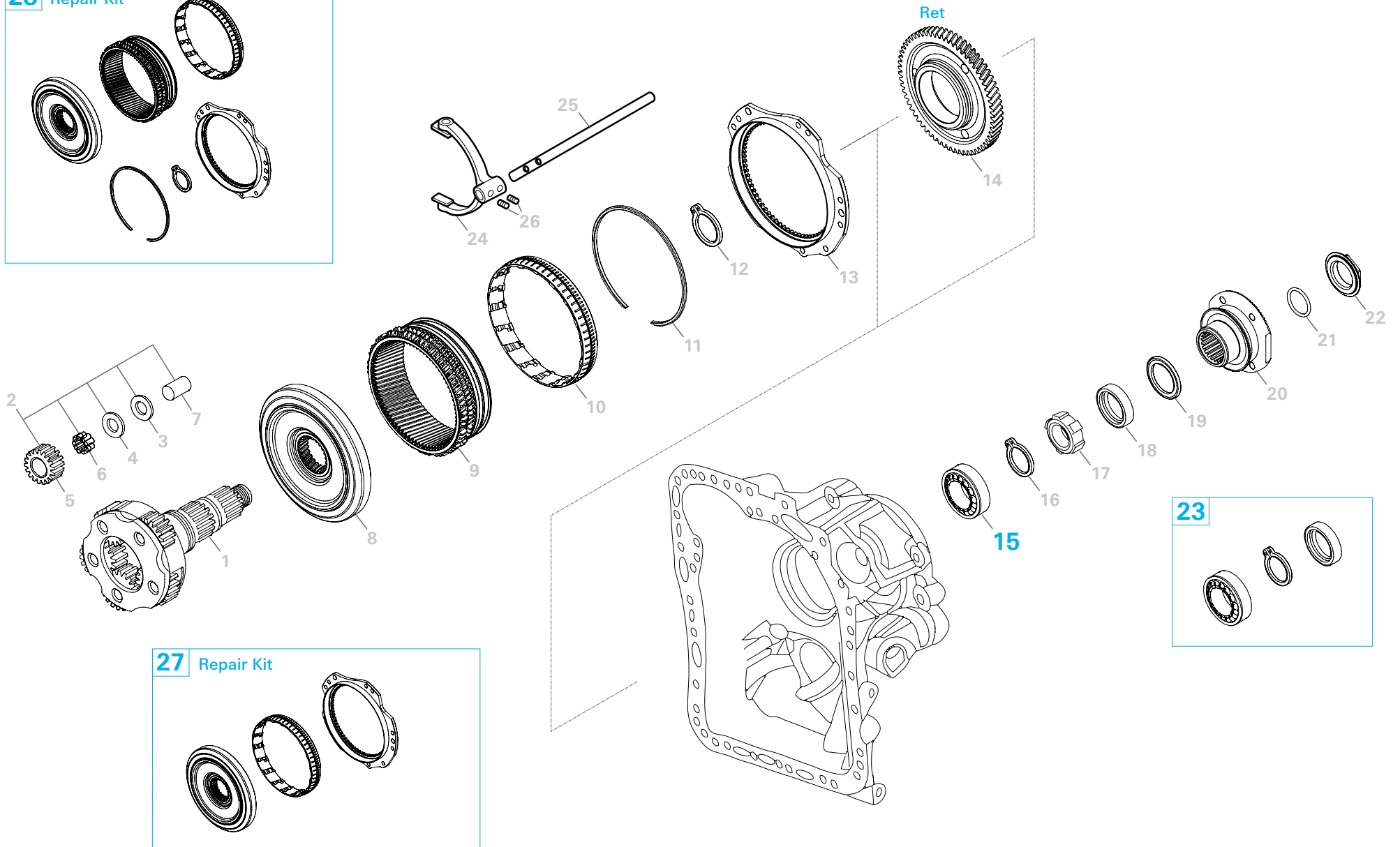
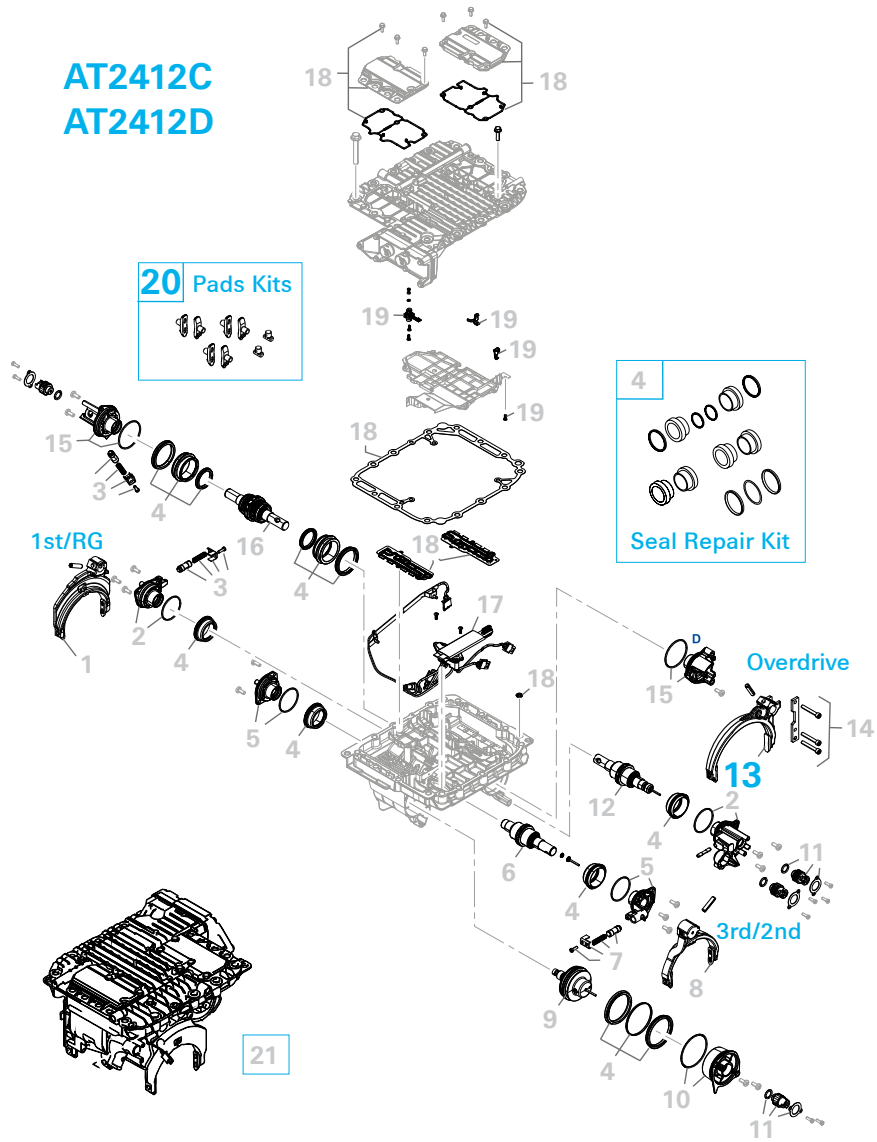


FIG.	AT2412 C-D-E-F	AT2512 C	AT2612 D-E-F	AT2812 C-D-E-F	AT03112 C-D-E-F	AT03512 D-E-F	ZF	VOLVO*	Description	Qty	Notes
13		■		■	■	■	0073.301.022	21482847	Synchronizer Cone, Speed Change Gear (72T.)	1	(Q)
15	■		■	■	■	■	0073.301.010	21170624	Bearing, Transmission Output Shaft (Manual Transmission) (70x140x26)	1	Old (#)
20		■		■	■	■	0073.301.013	22238212	Output Flange, Automatic Transmission	1	
23	■		■	■	■	■	0073.298.016	21008411	Repair Kit, Automatic Transmission	1	Old (#)
23	■		■	■	■	■	0073.298.031	21008412	Repair Kit, Automatic Transmission	1	
27	■		■	■	■	■	0073.298.020	21768926	Repair Kit, Automatic Transmission	1	W/Out Retarder
27	■		■	■	■	■	0073.298.019	21768927	Repair Kit, Automatic Transmission	1	With Retarder
28	■		■	■	■	■	0073.298.027	21671435	Repair Kit, Automatic Transmission W/Out Retarder	1	W/Out Retarder

CHART 05 Forks

**AT2412C
AT2412D**



**AT2412E
AT2412F**

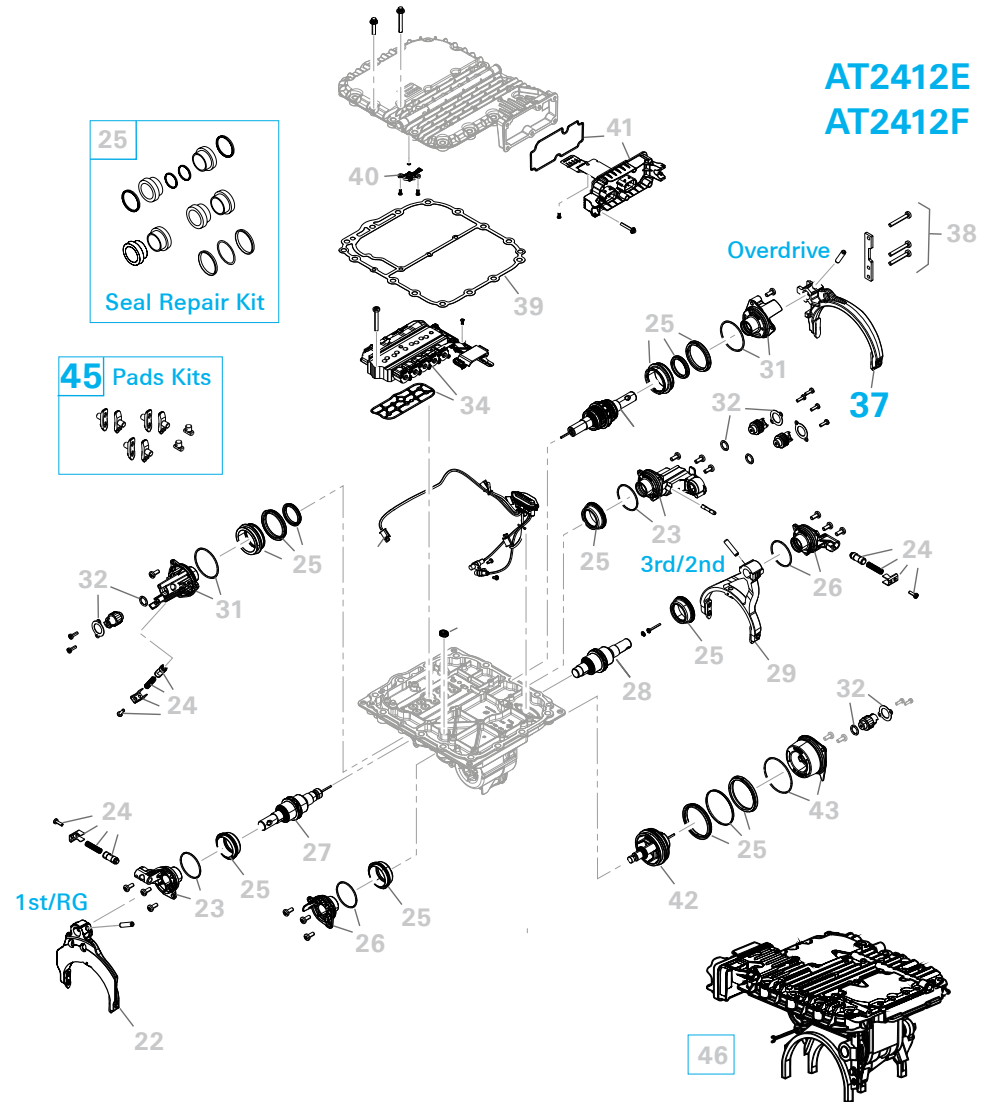
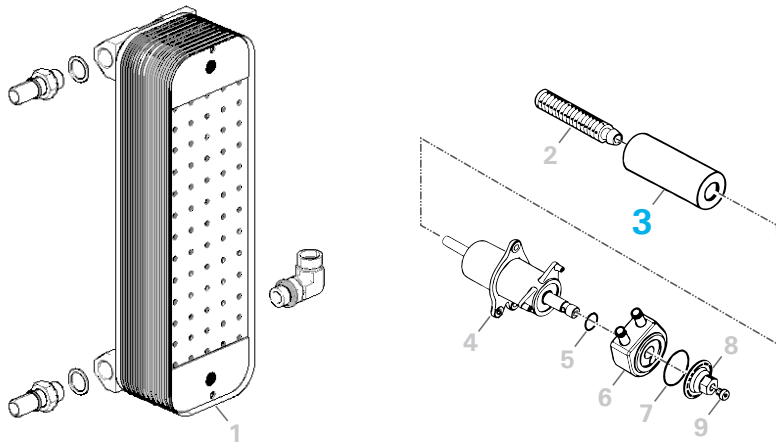


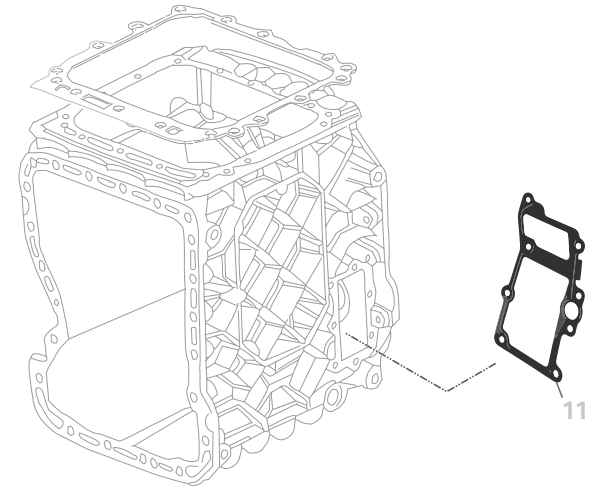
FIG.	AT2412 C-D-E-F	AT2512 C	AT2612 D-E-F	AT2812 C-D-E-F	AT03112 C-D-E-F	AT03512 D-E-F	ZF	VOLVO*	Description	Qty	Notes
13	■	■	■	■	■	■	0073.301.026	21511649	Shift Fork Overdrive	1	
20	■	■	■	■	■	■	0073.298.023	20562628	Repair Kit, Automatic Transmission, Pins + Sliding Block	1	Old Type with Slide D.11,00 mm
20	■	■	■	■	■	■	0073.298.025	20968999	Repair Kit, Automatic Transmission, Pins + Sliding Block	1	New Type with Slide D.12,00 mm
37	■		■	■	■	■	0073.301.026	21511649	Shift Fork Overdrive	1	
45	■		■	■	■	■	0073.298.025	20968999	Repair Kit, Automatic Transmission, Pins + Sliding Block	1	

CHART 06

Miscellaneous Parts



Oil Cooler Components



Side Housing Gasket

Retarder Oil Cooler

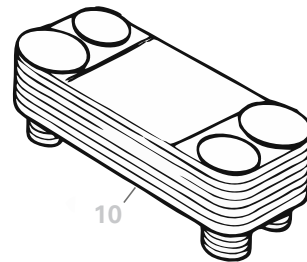


FIG.	AT2412 C-D-E-F	AT2512 C	AT2612 D-E-F	AT2812 C-D-E-F	AT03112 C-D-E-F	AT03512 D-E-F	ZF	VOLVO*	Description	Qty	Notes
3	▪	▪	▪	▪	▪	▪	5961.307.908	21479106	Oil Filter Kit	1	

ZF Friedrichshafen AG

ZF Aftermarket
Obere Weiden 12
97424 Schweinfurt
Germany

Phone +49 9721 4756-0
Fax +49 9721 4755000
aftermarket.zf.com



twitter.com/zf_konzern
facebook.com/zfgroup.global
youtube.com/zffriedrichshafenag

Legal disclaimer: The ZF Friedrichshafen AG products described above are specially designed for their specified intended use and may not be used for any other purpose. However, ZF makes neither an explicit nor an implied guarantee for the suitability of the products for certain intended uses neither explicitly agreed nor agreed in writing between ZF and its customers. The details in this flyer are, in particular, not binding with regard to the nature of the products. Only those written agreements made in the ordering process, in particular those concerning the nature of each product, shall be decisive in terms of ZF's contractual obligations. Proper assembly of the products is also a prerequisite for this guarantee. Details in advertising material are non-binding and cannot be consulted in determining the nature of the products. Subject to change without notice. Errors and omissions excepted. **For further information visit: www.zf.com/dis**