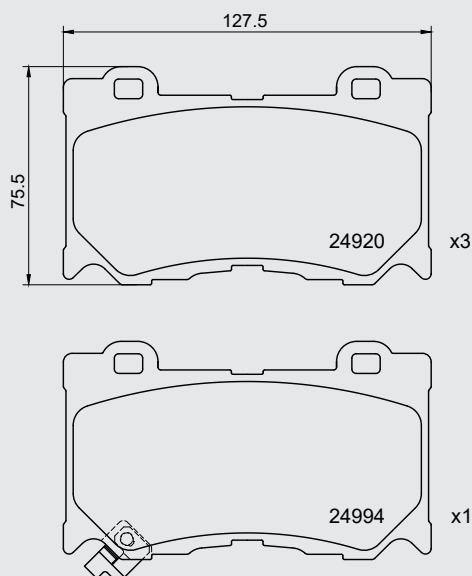


## Replacement of MDB3049 by MDB3109

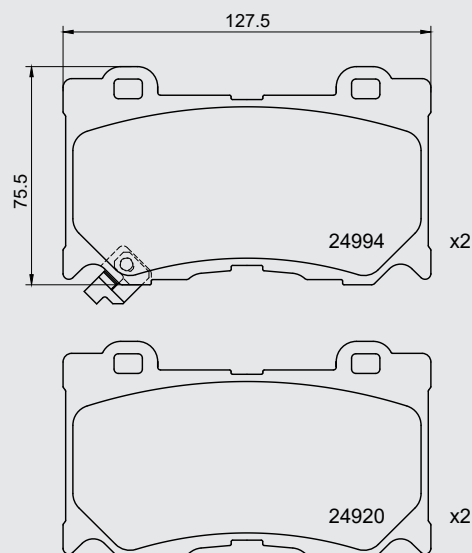
Mintex is now able to harmonize the references MDB3049 and MDB3109. It was proved that MDB3109 could also cover the applications of MDB3049.

The differences between MDB3049 and MDB3109 are the number of acoustic wear indicators that MDB3109 contains. There will be no difficulties during installation, operation and functionality dimensionally.

### MDB3049



### MDB3109



As usual, existing stock of MDB3049 can be sold out without any problems.