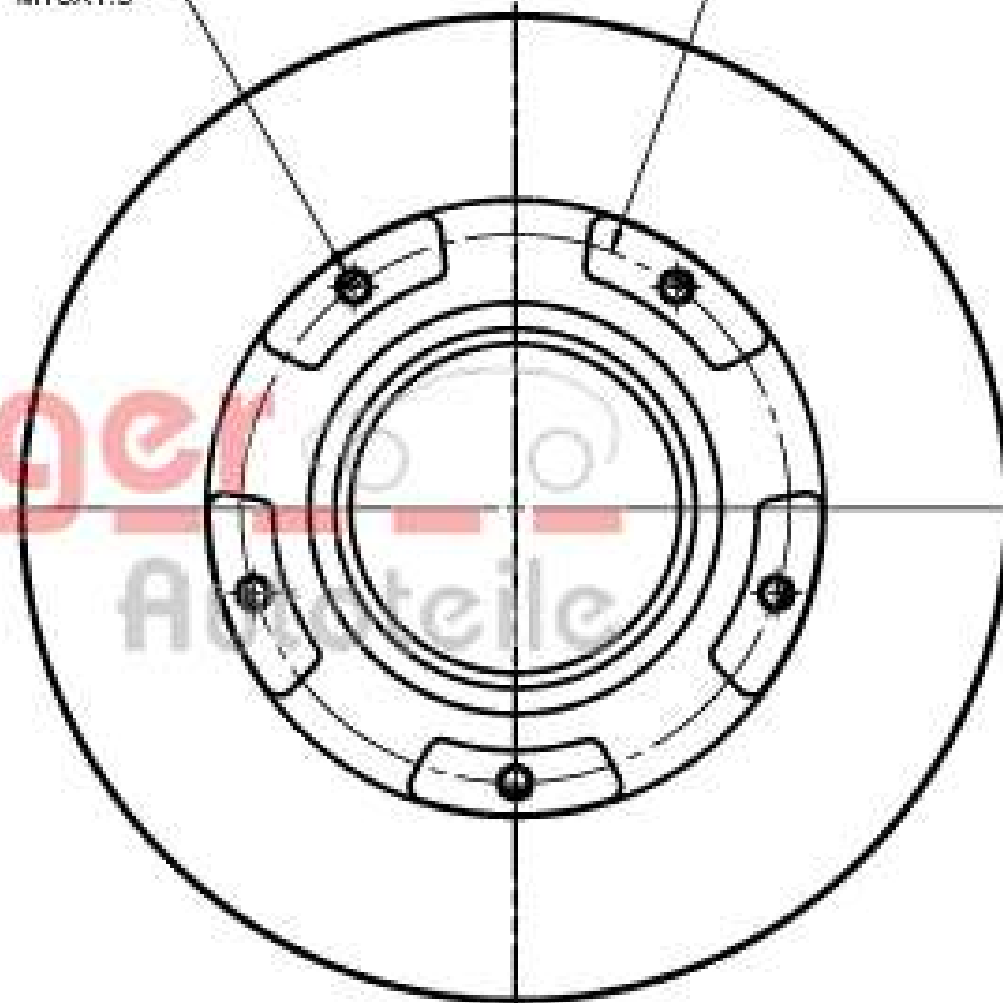


M10X1.5

$\phi 160.0$



6110766